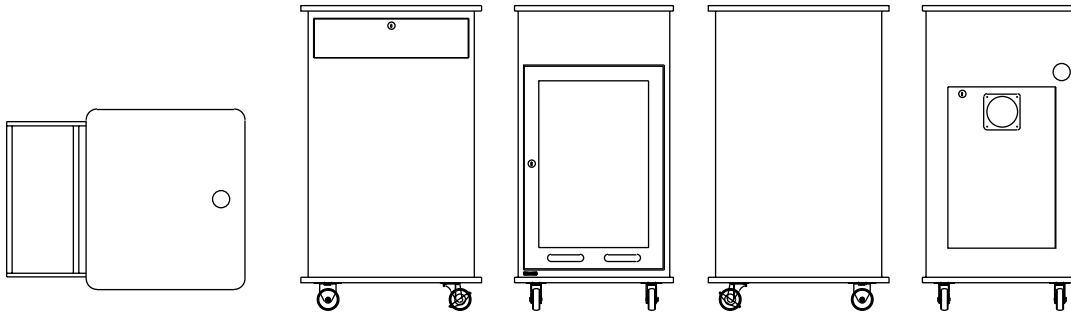


SELECT CUSTOM ACCESSORIES

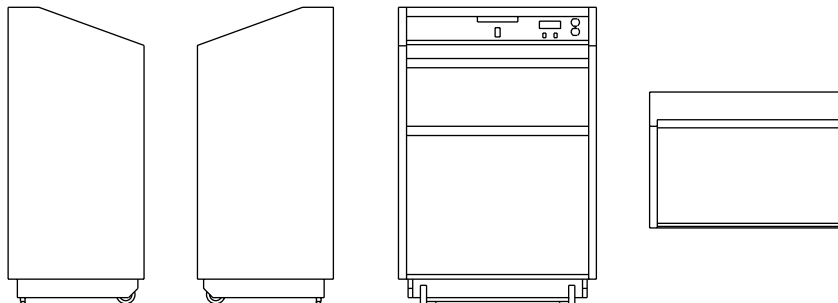
Listed below are the standard locations for accessory items. If you would like an accessory located in a different location, please mark it on the drawing below

- | | | |
|---|--|---|
| <input type="checkbox"/> HEIGHT ADJUSTABLE
<input type="checkbox"/> 120 Volt
<input type="checkbox"/> 240 Volt
<input type="checkbox"/> SOUND SYSTEM
<input type="checkbox"/> 120 Volt
<input type="checkbox"/> 240 Volt
<input type="checkbox"/> MICROPHONE MOUNT:
<input type="checkbox"/> Custom location: see diagram
<input type="checkbox"/> MICROPHONE WITH SHOCK MOUNT:
<input type="checkbox"/> Standard location: upper right hand corner
<input type="checkbox"/> Custom location: see diagram | <input type="checkbox"/> GOOSENECK LIGHT:
<input type="checkbox"/> Right side of reading surface.
<input type="checkbox"/> COOLING FANS:
<input type="checkbox"/> 120 Volts
<input type="checkbox"/> 240 Volts
<input type="checkbox"/> Standard location: lower side walls
<input type="checkbox"/> Custom location: see diagram
<input type="checkbox"/> PULL-OUT EQUIPMENT RACK:
<input type="checkbox"/> Standard location: lower area in center
<input type="checkbox"/> Custom Location: see diagram
<input type="checkbox"/> ADJUSTABLE SHELF:
<input type="checkbox"/> Standard location: lower area in center
<input type="checkbox"/> Custom location: see diagram | <input type="checkbox"/> LOWER LOCKING DOOR:
<input type="checkbox"/> Standard location: lower area of unit
<input type="checkbox"/> Custom location: see diagram
<input type="checkbox"/> HINGED READING SURFACE:
<input type="checkbox"/> Standard on multi-media lecterns.
<input type="checkbox"/> HALF RAISED, HALF FLAT READING SURFACE
<input type="checkbox"/> FLIP-UP SIDE SHELF:
<input type="checkbox"/> Standard location: right side, 36" above
<input type="checkbox"/> Custom location: see diagram
<input type="checkbox"/> FRONT ACCESS PANEL |
|---|--|---|

Equipment Rack Cart



Lectern



SELECT DASH PANEL SNAP-IN CONNECTORS

- | | | |
|--|--|---|
| <input type="checkbox"/> CONNECTOR PLATE, 2 SNAP-IN HOLES | <input type="checkbox"/> RJ11 SNAP-IN CONNECTOR | <input type="checkbox"/> RCA (BLACK) SNAP-IN CONNECTOR |
| <input type="checkbox"/> CONNECTOR PLATE, 6 SNAP-IN HOLES | <input type="checkbox"/> BNC SNAP-IN CONNECTOR | <input type="checkbox"/> RCA (YELLOW) SNAP-IN CONNECTOR |
| <input type="checkbox"/> CONNECTOR PLATE, 1 HD-15 PASS THROUGH | <input type="checkbox"/> S-VIDEO SNAP-IN CONNECTOR | <input type="checkbox"/> 1/8" MINI STEREO SNAP-IN CONNECTOR |
| <input type="checkbox"/> CONNECTOR PLATE, BLANK | <input type="checkbox"/> F-TYPE SNAP-IN CONNECTOR | |
| <input type="checkbox"/> RJ45, CAT-5 SNAP-IN CONNECTOR | <input type="checkbox"/> RCA (RED) SNAP-IN CONNECTOR | |

FOR CUSTOM VIDEO CONFERENCING CARTS

MONITOR MAKE

MONITOR MODEL

QUANTITY REQUIRED

REQUIRED INSTALLATION DATE

Describe the environment (i.e. conference center, home theater, educational center, house of worship, awards show) and note any outstanding or remarkable environmental constraints (such as ceiling height, extreme ambient light) as well as any additional important information.

SUBMIT FORM

Clicking the Submit Form button will automatically open a new email message and attach the completed form. If you prefer to save the form and attach it manually, please send to designcenter@da-lite.com.



Thank you for giving us the opportunity to design your custom Da-Lite Screen.
E--mail any applicable drawings or construction documents to designcenter@da-lite.com.