



WARNING: IT IS IMPORTANT FOR EVERYONE'S SAFETY THAT ALL INSTRUCTIONS ARE FOLLOWED. RETAIN THESE INSTRUCTIONS.

■ Conditions for installation

- This screen is intended for interior use.
- Requires a single phase electricity supply 120 V / 60 Hz + earth.
 - Supply cable straight inside the motor with no casing interconnect.
 - The 2 earth wires must be connected to the Junction Box
 - Input power and supply cable must be connected inside the Junction Box

Please note: Motor Operator Projection Screen Model AREL must be installed in accordance with the requirements of the Local Building Codes, the Canadian Electrical Code (CEC), CAN/CSA C22.1 and the National Electric Code (NEC), NFPA 70. An appropriate disconnect device shall be provided as part of the building installation.

■ Conditions for use

- Designed for optimum function between 15°C and 25°C and maximum humidity of 80%.
- Must be kept away from sources of heat (as these may cause screen deformation), and protected from splashes of water, steam, dust, smoke or any other hazards that may damage the equipment.
- **NOTE: Unit duty cycle is 1 minute on, 3 minutes off.**
- **NOTE: Excessive continuous operation may cause the motor to overheat. If this happens the motor will shut off until it cools to a normal operating temperature.**



Because the weight of the fabric and the roller tube, nobody must remain under the screen.

■ Unpacking

- Check that the screen has not been damaged during transport. If it has been damaged, refuse to accept the parcel or immediately notify the carrier by recorded delivery.
- Handle the screen with care to prevent the housing being scratched. Do not lay it down on its side or turn it upside down.
- **Remove both tube transport clamps (see C).**



■ Fixing the screen

Fixing the screen to the wall (see A).

Fixing the screen to the ceiling (see B).

- The screen should be attached firmly using screws of appropriate type and length for the wall or the ceiling (see table for the weight of the screen).
- It is essential to check that the fixings are secure.
 - => Note : other mounting modes than the standard brackets can be used (consult your dealer).
- Ensure that the screen is kept horizontal (max. variation of 3 mm per m).

■ Electrical connection

- Connect the motor cable to 120 V supply and earth.

■ Setting up

- The "screen up" position is factory set (fixed travel limit).
- The bottom travel limit (screen down) must be set : see the instructions here joined.



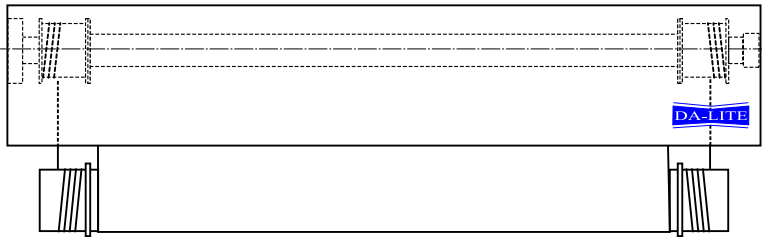
NB: initially , the screen may stretch a few cms => leave a gap between the screen and the floor and, if necessary, re-adjust the travel limit later.

■ If you notice that

- The screen is not moving: check the electrical connection.
- The screen stops or fails to function after several operations: the motor, which is designed for intermittent use (maximum 4 to 5 mn in a row), has reached its maximum temperature and the **thermal safety function** has cut in => wait a few minutes for it to cool down.
- If in any doubt, contact your dealer.

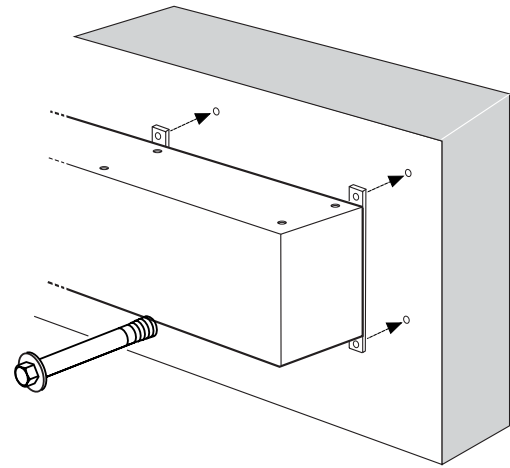
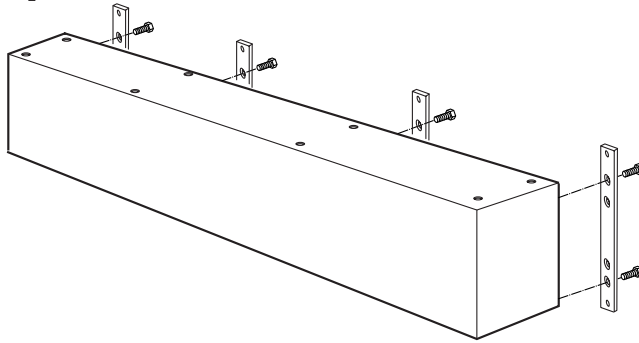
■ Maintenance

- The mechanical components do not require any maintenance.
- If the fabric becomes stained (white plastic fabric only, perforated or non-perforated), use only a small quantity of industrial ethyl alcohol and rub gently with a non-fluffy white cotton cloth (with any other product, there is the risk of leaving a ring or of destroying the grain).

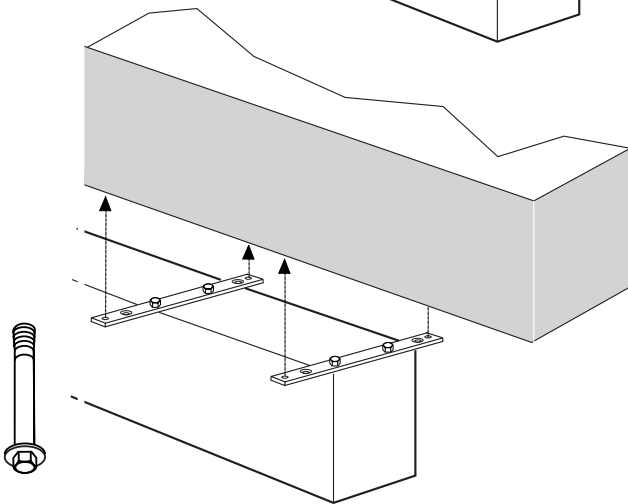
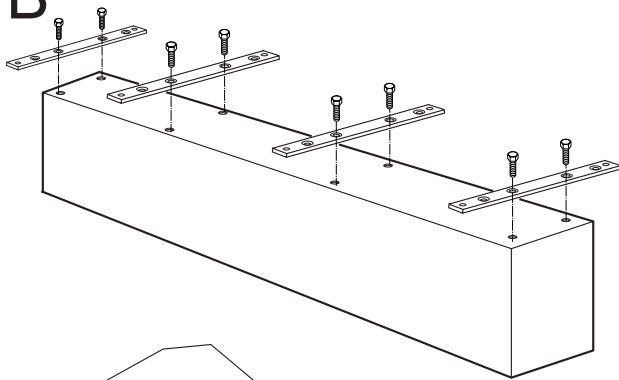


| (cm) | (Kg) | (cm) | (Kg) |
|------|------|------|------|
| 600 | 305 | 950 | 450 |
| 650 | 325 | 1000 | 470 |
| 700 | 345 | 1050 | 490 |
| 750 | 365 | 1100 | 510 |
| 800 | 385 | 1150 | 535 |
| 850 | 410 | 1200 | 555 |
| 900 | 430 | | |

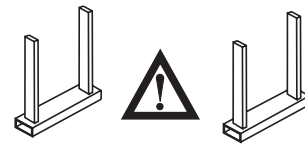
A



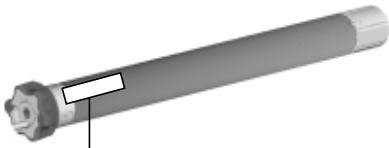
B



C



Power supply and wiring



120 V / 60 Hz

| | | |
|---|-----------|---------|
| 1 | · Live | · Black |
| 2 | · Neutral | · White |
| 3 | · Earth | · Green |

