



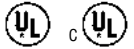
WMLS-MONITOR MOUNT

Wall Mount Locking Shelf Models

SPECIFICATION DATA

DA-LITE SCREEN COMPANY, INC.
 3100 North Detroit Street
 Post Office Box 137
 Warsaw, Indiana 46581-0137
 Phone: 574-267-8101
 800-622-3737
 Fax: 574-267-7804
 Toll Free Fax: 877-325-4832
 www.da-lite.com
 e-mail: info@da-lite.com

SUGGESTED SPECIFICATIONS: Da-Lite/Advance wall mount locking shelf Model **WMLS** _____ shall be mounted where indicated on plans. The mount shall be a fabricated mild steel design consisting of a single support arm, a two piece interlocking monitor shelf, and an adjustment bracket. The mount support arm shall be formed from 1 1/2" x 2" x 11-gauge rectangular tubing. It shall support the monitor shelves at a location _____ inches from the wall. The two interlocking shelf components shall be 16-gauge and 20-gauge with the 20-gauge top piece perforated for attaching the monitor. The 11-gauge adjustment bracket shall allow the shelves to tilt forward 0° through 15° and swivel 360°. Mount packages shall be UL / C-UL listed and comply to UL 1678 to safely hold a _____ inch diagonal screen TV/monitor to _____ wall construction with 3/8" diameter fasteners. A wall bracket may be required for compliance to the UL standard. The wall bracket shall be fabricated from two 1 1/4" x 16-gauge square steel tubes joined to an 11-gauge steel channel by MIG welding. Mount assemblies shall have a commercial powder coat black finish. All tubing shall be finished with black end closures and shall conceal all 3/8" diameter attachment hardware.



To comply with the UL load test standard of at least four times the monitor's weight, the fasteners used to install the mount or wall bracket shall be selected from the following options:

- 3/8" x 2 1/2" hex head lag screws for wood stud structural walls
- 3/8"-16 Hollow Set Drop-In with hex head cap screws for solid concrete structural walls
- 3/8"-16 Toggle® with hex head cap screws for hollow concrete block and steel stud structural walls

Specification Data

WMLS mount information

Model	Diagonal Screen Size	Location from Wall	Max. TV/Monitor Weight	Monitor Shelf Size (w x d)
WMLS-12	up to 13"	12 1/2"	25 lbs.	12" x 9 1/4"
WMLS-22	17" - 20"	16"	50 lbs.	22" x 13 1/2"
WMLS-25	25" - 27"	16"	95 lbs.	25" x 13 1/2"

Wall bracket information

Wall Bracket Model	Fastener Locations	Number of Fasteners	Wall Bracket Dimensions (w x h)
D16	two on 16" centers	4	18" x 18"
D24	two on 24" centers	4	26" x 18"
T16	three on 16" centers	5	34" x 18"
T24	three on 24" centers	5	50" x 18"

Wall bracket application for UL 1678 compliance using proper 3/8" diameter fasteners

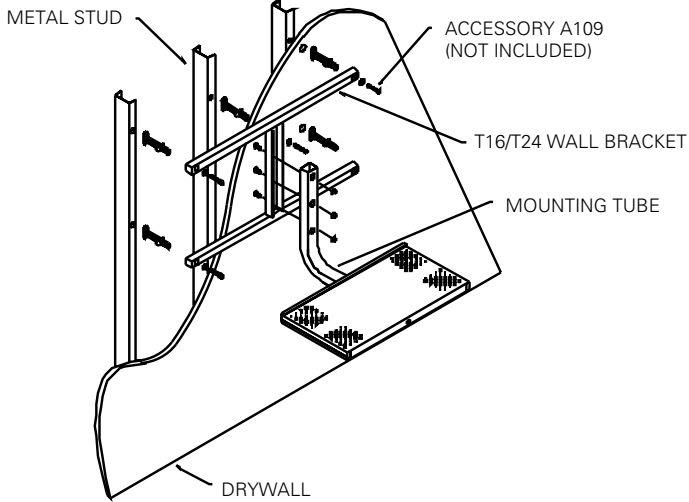
Model	Wood Stud	Steel Stud	Solid Concrete	Hollow Concrete Block
WMLS-12	optional	T16 or T24	optional	optional
WMLS-22	optional	T16 or T24	optional	optional
WMLS-25	optional	T16 or T24	optional	optional

Optional Mount Accessories:

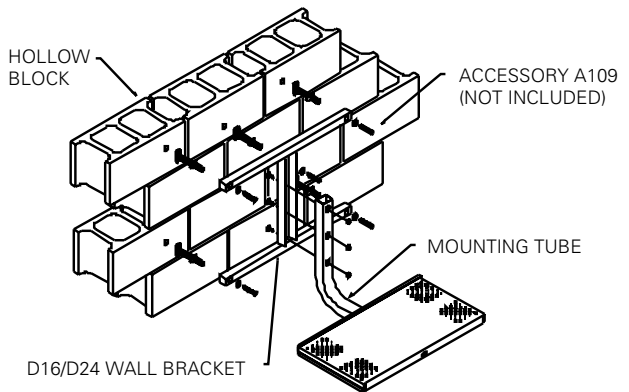
- | | |
|--|---|
| <input type="checkbox"/> VP-1S Video Player Mount (single DVD/VCR mount) | <input type="checkbox"/> WCB16 Wall Corner Bracket |
| <input type="checkbox"/> VP-STK Video Player Mount (double DVD/VCR mount) | <input type="checkbox"/> WMSWP-16 Wall Plate (pre-construction stud span plate) |
| <input type="checkbox"/> VP-LK Video Player Mount Lock Kit | <input type="checkbox"/> WMSWP-24 Wall Plate (pre-construction stud span plate) |
| <input type="checkbox"/> A101 Hardware Kit Solid Concrete | <input type="checkbox"/> D16 Wall Bracket (two fasteners on 16" centers) |
| <input type="checkbox"/> A105 Hardware Kit Wood Stud | <input type="checkbox"/> D24 Wall Bracket (two fasteners on 24" centers) |
| <input type="checkbox"/> A109 Hardware Kit Steel Stud, Hollow Concrete Block | <input type="checkbox"/> T16 Wall Bracket (three fasteners on 16" centers) |
| | <input type="checkbox"/> T24 Wall Bracket (three fasteners on 24" centers) |

WALL MOUNT INSTALLATION OPTIONS: UNIVERSAL CONSTRUCTION WALL BRACKETS OR MOUNTING TUBE

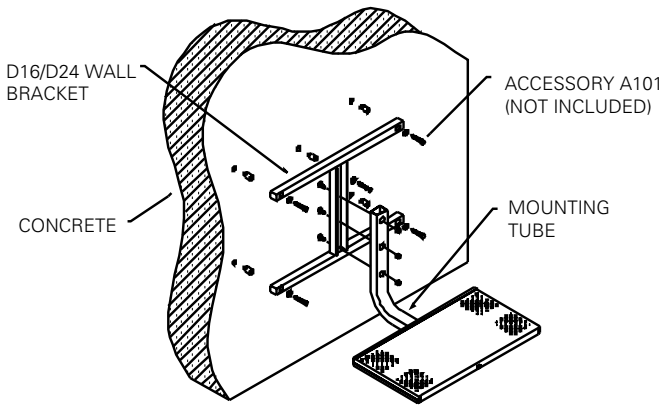
WMLS ONTO METAL STUD



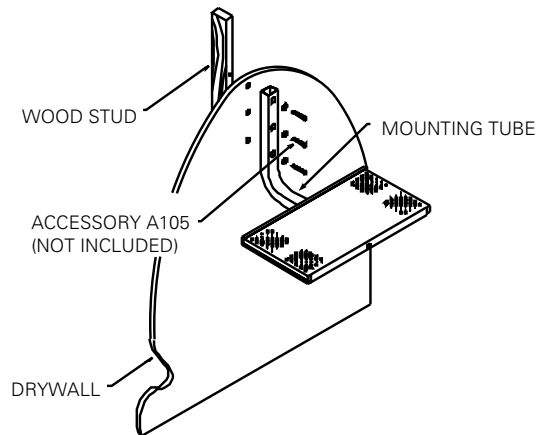
WMLS ONTO HOLLOW BLOCK



WMLS ONTO CONCRETE

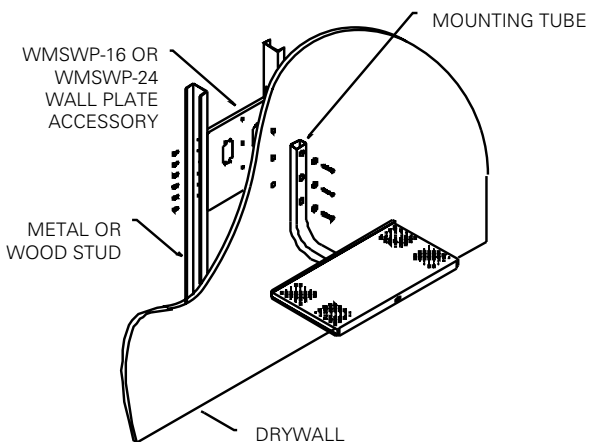


WMLS ONTO WOOD STUD



WALL MOUNT INSTALLATION OPTIONS: CONSTRUCTION SPECIFIC ACCESSORIES

WMLS WITH WMSWP ONTO STUD WALL



WMLS WITH WCB16 ONTO CONCRETE/WOOD STUD/HOLLOW BLOCK

