



TENSIONED CONTOUR® ELECTROL®

Automatic Electric Projection Screen Model

SPECIFICATION DATA

DA-LITE SCREEN COMPANY, INC.
3100 North Detroit Street
Post Office Box 137
Warsaw, Indiana 46581-0137
Phone: 574-267-8101
800-622-3737
Fax: 574-267-7804
Toll Free Fax: 877-325-4832
www.da-lite.com
e-mail: info@da-lite.com

SUGGESTED SPECIFICATIONS: _____ projection screen(s), _____ (H) x _____ (W), electrically operated 120 volt (60 Hz) not more than 2.4 amp. Shall have specially designed motor mounted inside the roller, to be three wire with ground, quick reversal type, oiled for life, with automatic thermal overload cutout, integral gears, capacitor and an electric brake to prevent coasting. To have preset but adjustable limit switches to automatically stop the picture surface in the "up" and "down" positions. Junction box shall be integrated into the housing making it possible to install the housing and wire to the building's electrical system during construction. The junction box shall contain a quick connect connector that is mounted in the housing for easy plug-in connection to the motorized fabric and roller assembly. The motorized fabric and roller assembly may be installed in the case at the factory or at a later time at the job site. The roller to be of rigid metal. Roller mounting brackets to be adjustable to allow centering or offsetting of the screen within the case. Screen case to be a two piece design made of extruded aluminum. Case to be finished in black, lightly textured powder coat. Screen fabric to be flame retardant and mildew resistant vinyl with black masking borders standard. Each side of fabric to have a tab guide cable system to maintain even lateral tension and hold surface flat. Bottom of fabric to be inserted into a custom aluminum slat bar with added weight to provide vertical tension on the screen surface. The ends of the slat to be protected by heavy duty plastic caps enclosing a preset adjustable mechanism for screen tensioning. Screen to include a three-position control switch and cover plate. Screen to be listed by Underwriters' Laboratories.

All viewing surfaces will be seamless.

All viewing surfaces are standard with black backing except Da-Tex® and Dual Vision.

Audio Vision, High Contrast Audio Vision and High Contrast Cinema Perf available in sizes up to 87" x 116" in Video Format and 78" x 139" in HDTV Format.



WHEN ORDERING, MARK APPROPRIATE SELECTIONS:

Select size from charts on the other side.

Select viewing surface:

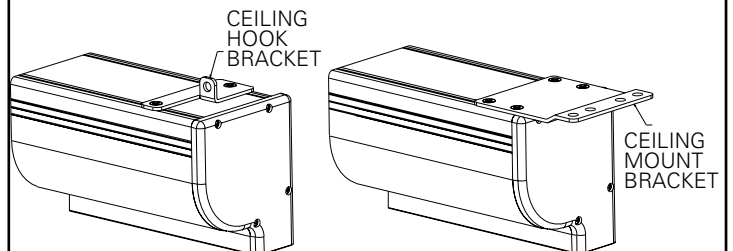
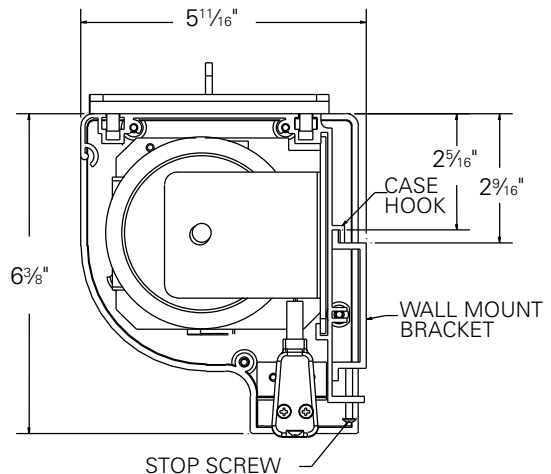
- | | |
|--|--|
| <input type="checkbox"/> Da-Mat® | <input type="checkbox"/> High Contrast Da-Mat® |
| <input type="checkbox"/> Pearlescent | <input type="checkbox"/> Da-Tex® (Rear) |
| <input type="checkbox"/> Audio Vision | <input type="checkbox"/> High Contrast Cinema Vision |
| <input type="checkbox"/> Dual Vision | <input type="checkbox"/> High Contrast Audio Vision |
| <input type="checkbox"/> Cinema Vision | <input type="checkbox"/> High Contrast Cinema Perf |

☞ GREENGUARD® and GREENGUARD® Children and Schools Certified.

Options:

- Single Motor Low Voltage Control (LVC) external.
- Single Motor Low Voltage Control (LVC) built-in.
- Wireless Remote Control for LVC.
 - Radio Frequency Remote.
 - Radio Frequency Range Extender available
 - Infrared Remote.
- Key Locking Cover Plate for 120V or LVC Switch.
- Silent Motor.
- Silent Motor with Integrated LVC.
- Key Operated Switch for 120V only (NOTE: Cannot be used with LVC).
- 220 Volt (50 Hz) Motor.
- Video Projector Interface Control - external.
- Video Projector Interface Control - built-in (adds 3/4" to case length of 220V motor version).
- SCB-100 RS-232 Serial Control Board - external.
 - NET-100 Ethernet-Serial Adapter
- SCB-100 RS-232 Serial Control Board - built in (adds 3/4" to length of case).
 - NET-100 Ethernet-Serial Adapter
- SCB-200 RS-232 Serial Control Board - built-in (adds 3/4" to length of case).
 - NET-200 Ethernet-Serial Adapter
 - WC-200 Wall Controller
 - IR-200 Infrared Remote
- Veneer Case Cover (Choose from seven standard veneers).
 - Light Oak
 - Medium Oak
 - Natural Walnut
 - Heritage Walnut
 - Mahogany
 - Cherry
 - Honey Maple
- Graphite case color.
- White case (black standard).

SUGGESTED METHODS OF INSTALLATION



VIDEO (NTSC 4:3) FORMAT DIMENSIONS

Viewing Area		Nominal Diagonal		Overall Length of Case		Approx. Ship. Wt.	
In.	Cm	In.	Cm	In.	Cm	Lbs.	Kg
43" x 57"	109 x 145	72"	183	77¼"	196	66	29.9
50" x 67"	127 x 170	84"	213	87¾"	223	73	33.1
60" x 80"	152 x 203	100"	254	102¼"	260	84	38.1
69" x 92"	175 x 234	120"	305	111¾"	284	94	42.6
87" x 116"	221 x 295	150"	381	137¼"	349	114	51.7
108" x 144"	274 x 366	180"	457	167¾"	426	135	61.2
120" x 160"	305 x 406	200"	508	184¼"	468	148	67.1

HDTV (16:9) FORMAT DIMENSIONS

Viewing Area		Nominal Diagonal		Overall Length of Case		Approx. Ship. Wt.	
In.	Cm	In.	Cm	In.	Cm	Lbs.	Kg
45" x 80"	114 x 203	92"	234	100¼"	255	79	35.8
52" x 92"	132 x 234	106"	269	113¼"	288	83	37.6
54" x 96"	137 x 244	110"	279	117¼"	298	86	39.0
58" x 104"	147 x 264	119"	302	125¾"	319	95	43.1
65" x 116"	165 x 295	133"	338	138¾"	352	114	51.7
78" x 139"	198 x 353	159"	404	159¾"	406	134	60.8
90" x 160"	229 x 406	184"	467	181¾"	462	148	67.3

WIDE (16:10) FORMAT DIMENSIONS

Viewing Area		Nominal Diagonal		Overall Length of Case		Approx. Ship. Wt.	
In.	Cm	In.	Cm	In.	Cm	Lbs.	Kg
50" x 80"	127 x 203	94"	239	100¾"	256	77	34.9
57½" x 92"	146 x 234	109"	277	112¾"	286	83	37.6
60" x 96"	152 x 244	113"	287	118¾"	302	92	41.7
69" x 110"	175 x 279	130"	330	133¼"	338	104	47.2
72½" x 116"	184 x 295	137"	348	138¾"	352	114	51.7
87" x 139"	221 x 353	164"	417	160¾"	408	126	57.2
100" x 160"	254 x 406	189"	480	181¾"	462	148	67.1

SQUARE FORMAT DIMENSIONS

Sizes		Overall Length of Case		Approx. Ship. Wt.	
H x W	Cm	In.	Cm	Lbs.	Kg
50" x 50"	127 x 127	70¾"	180	65	29.5
60" x 60"	152 x 152	82¼"	209	74	33.6
70" x 70"	178 x 178	93¾"	238	82	37.2
84" x 84"	213 x 213	105¼"	267	93	42.2
6' x 8'	183 x 244	115¾"	294	94	42.6
8' x 8'	244 x 244	118¼"	300	95	43.1
7' x 9'	213 x 274	129¼"	328	112	50.8
9' x 9'	274 x 274	131¾"	335	114	51.7
8' x 10'	244 x 305	142¼"	361	118	53.5
10' x 10'	305 x 305	145¼"	369	120	54.4
9' x 12'	274 x 366	167¾"	426	134	60.8
12' x 12'	366 x 366	172¾"	439	143	64.9

All screens standard with 12" (305mm) black drop at top.

Extra drop may alter case dimensions. Contact Da-Lite for details.

Overall case length dimensions ±¼" (6mm).

Detail dimensional drawings, wiring diagrams and installation instructions available upon request.

Specifications subject to change without notice.

Custom formats and sizes available upon request.

Project:	_____

Architect:	_____

Phone:	_____
Contractor:	_____

Phone:	_____
Supervisor:	_____

Phone:	_____
Date:	_____
Revised:	_____