

TENSIONED HORIZON ELECTROL®

Concealed without Doors Masking Electric Projection Screen

When ordering, make appropriate selections:

1. Select size from chart at the lower right.
2. Select viewing surface:
  - Da-Mat
  - High Contrast Da-Mat
  - Cinema Vision
  - High Contrast Cinema Vision
  - Pearlescent
  - Audio Vision
  - High Contrast Audio Vision
  - High Contrast Cinema Perf
  - Da-TeX (Rear)
  - Dual Vision
  - GREENGUARD® and GREENGUARD® Children and Schools Certified.

3. Options:
  - 220 Volt (50Hz) Motor.
  - Infrared Wireless Remote Control.
  - Radio Frequency Wireless Remote Control.
  - Radio Frequency Range Extender available
  - White box (black standard).
  - Silent Motor.



- Multiple format screen (4:3, 16:9, 1.85:1, and 2.35:1).
- Preset aspect ratios.
- Tab guide cable system holds screen surface flat.

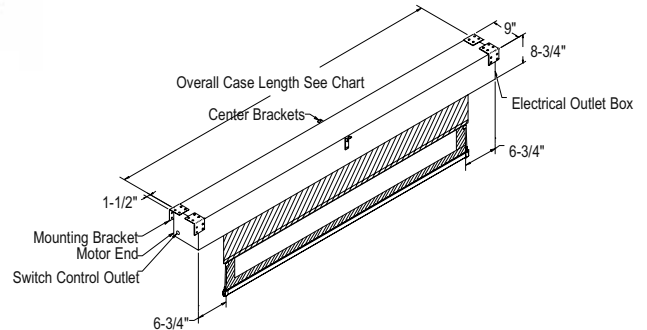
SUGGESTED SPECIFICATIONS:

\_\_\_\_\_ projection screen(s),  
 \_\_\_\_\_ (H) x \_\_\_\_\_ (W),  
 electrically operated 120 volt (60 Hz) not more than 2.2 amp. Shall have two specially designed motors mounted inside two rollers, to be three wire with ground quick reversal type, oiled for life, with automatic thermal overload cutout, integral gears, capacitor, embedded microprocessor control and an electric brake to prevent coasting. To have preset but adjustable limit switches to automatically stop the picture surfaces in the "up" and "down" positions. Shall have electronic controller to adjust to three intermediate positions. The fabric roller to be of rigid aluminum. The mask roller to be of rigid aluminum. Screen fabric to be seamless, flame-retardant and mildew resistant vinyl with black masking borders standard. Each side of the fabric to have tab guide cable system to maintain even lateral tension and hold surface flat. To have masking fabric to convert the screen to different aspect ratios. Custom slat bar with added weight maintains vertical tension on the screen surface. The ends of the aluminum slat to be protected by heavy-duty plastic caps enclosing a preset adjustable mechanism for screen tensioning. Bottom of the masking fabric shall be sewn into a pocket holding a metal rod. Case to be of wood and be finished with a black primer coat, ready to accept final finish by others. To be complete with a six-button switch with a cover plate. Screen to be listed by Underwriters' Laboratories.



All viewing surfaces will be seamless. Audio Vision, High Contrast Audio Vision and High Contrast Cinema Perf available in sizes up to 87" x 116" in Video Format. All viewing surfaces are standard with black backing except Da-TeX® and Dual Vision.

Detailed dimensional drawings, wiring diagrams and installation instructions available upon request. Specifications subject to change without notice.



NTSC(1.33:1) NATIVE ASPECT RATIO DIMENSIONS

NTSC H x W	HDTV H x W	Letterbox H x W	Cinemascope H x W	Overall Case Length*	Approx. Shipping Wt. Lbs.
43" x 57"	32" x 57"	31" x 57"	24" x 57"	79¾"	87
50" x 67"	38" x 67"	36" x 67"	29" x 67"	90¾"	101
60" x 80"	45" x 80"	43" x 80"	34" x 80"	104¾"	121
69" x 92"	52" x 92"	50" x 92"	39" x 92"	118¾"	138
87" x 116"	65" x 116"	63" x 116"	49½" x 116"	145¾"	177
108" x 144"	81" x 144"	78" x 144"	61" x 144"	170¾"	198

HDTV(1.78:1) NATIVE ASPECT RATIO DIMENSIONS

HDTV H x W	Letterbox H x W	Cinemascope H x W	Overall Case Length*	Approx. Shipping Wt. Lbs.
32" x 57"	31" x 57"	24" x 57"	78¾"	87
38" x 67"	36" x 67"	29" x 67"	89¾"	101
45" x 80"	43" x 80"	34" x 80"	103¾"	121
52" x 92"	50" x 92"	39" x 92"	115¾"	138
65" x 116"	63" x 116"	49½" x 116"	141¾"	177
81" x 144"	78" x 144"	61" x 144"	167¾"	198

Overall case length dimensions ±¼".

\*Add 3" overall length of case for mounting brackets.

Note: Custom sizes available upon request. All sizes come standard with 12" black drop at top.