

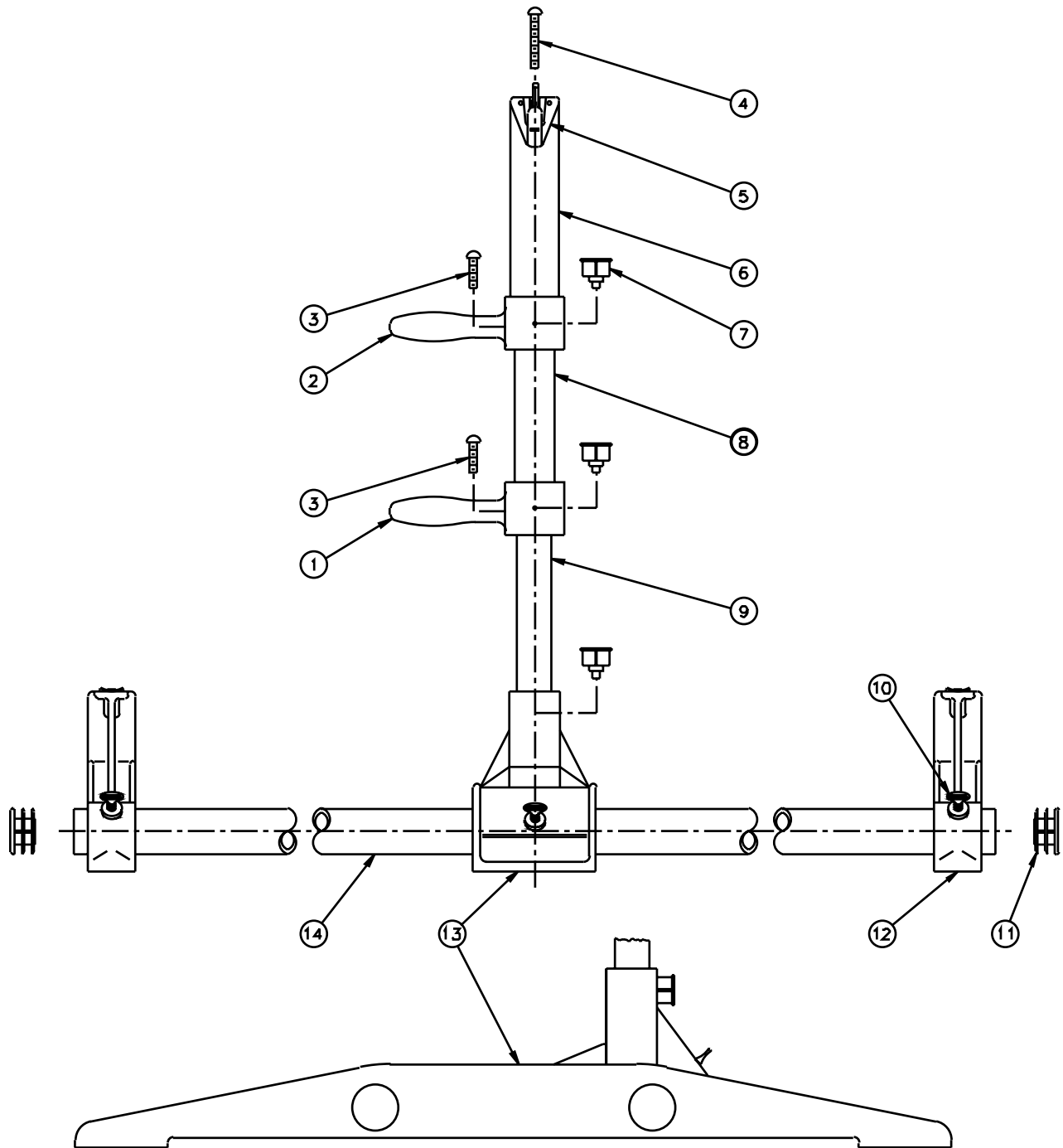
FLOOR MODEL C

Item No.	Da-Lite Part No.	Description	Quantity Required	List Price Each
1	78011	Screw for pin end and spring assy.	6	\$0.14
2	58390	Insert for pin end cap	1	9.00
3	87058	Screw for end caps	10	0.26
4	74802PCBL	Pin end cap, black	1	15.30
5	75019PC	Black case for 8' and 120" diag. screens	1	70.50
	75020PC	Black case for 9' screens	1	74.90
	75021PC	Black case for 10' and 150" diag. screens	1	79.20
	75022PC	Black case for 12' and 180" diag. screens	1	91.80
	76182	Carpeted gray case for 8' and 120" diag. screens	1	155.00
	76183	Carpeted gray case for 9' screens	1	194.00
	76184	Carpeted gray case for 10' and 150" diag. screens	1	204.00
	76185	Carpeted gray case for 12' and 180" diag. screens	1	210.00
	93900	Carpeted black case for 8' and 120" diag. screens	1	155.00
	93901	Carpeted black case for 9' screens	1	194.00
	89091	Carpeted black case for 10' and 150" diag. screens	1	204.00
	89092	Carpeted black case for 12' and 180" diag. screens	1	210.00
6	79711	Slat stop	2	3.00
7	33400	Screw for slat stop	2	0.22
8	74809PCBL	Spring end cap, black	1	16.00
9		Roller assemblies include #1 and 15		
	57686	Roller assy. for 8' and 120" diag. Screens	1	158.00
	57687	Roller assy. for 9' screens	1	162.00
	57688	Roller assy. for 10' and 150" diag. Screens	1	164.00
	57685	Roller assy. for 12' and 180" diag. Screens	1	170.00
10	78224	Insert for spring end cap.	1	6.40
11	44726	Screw for dog	1	0.28
12	98223	Pawl (dog)	1	1.50
13	57705	Plug and spear assy. (includes #11 and 12)	1	31.30
14	45118	Plastic anchor for spring assy.	1	2.50
15	57706	Spring assy. (includes #13 and 14)	1	100.00
16	74342	Fabric, Matte White 6' x 8'	1	292.00
	46124	Fabric, Matte White 8' x 8'	1	330.00
	46125	Fabric, Matte White 7' x 9'	1	340.00
	46126	Fabric, Matte White 9' x 9'	1	526.00
	46127	Fabric, Matte White 8' x 10'	1	394.00
	46128	Fabric, Matte White 10' x 10'	1	656.00
	77294	Fabric, Matte White 9' x 12'	1	744.00
	46130	Fabric, Matte White 12' x 12'	1	588.00
	74342	Fabric, Matte White 69" x 92" - 120" diag.	1	292.00
	77173	Fabric, Matte White 87" x 116" - 150" diag.	1	394.00
	77294	Fabric, Matte White 105" x 140" - 180" diag.	1	744.00
17	45120	Slat cap, black plastic	2	1.50
18	81870	Inner slat plug	2	0.90
19	45073	Slat for 8' and 120" diag. screens	1	10.50
	45074	Slat for 9' screens	1	11.90
	45075	Slat for 10' and 150" diag. screens	1	13.00
	45076	Slat for 12' and 180" diag. screens	1	15.90
20	48570	Pop rivet for saddle assy. and extensions	12	0.30
21	78259	Saddle assy. for 8' and 9' screens	1	29.10
	78260	Saddle assy. for 10' and 12' screens	1	36.30
22	78588	Saddle extension for 8' and 120" diag. screens	2	7.90
	78589	Saddle extension for 9' screens	2	9.00
	78517	Saddle extension for 10' and 150" diag. screens	2	10.10
	78518	Saddle extension for 12' and 180" diag. screens	2	12.40

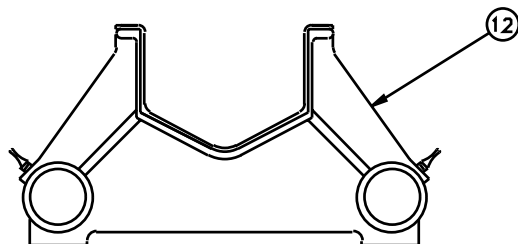
FLOOR MODEL C

Item No.	Da-Lite Part No.	Description	Quantity Required	List Price Each
	95051	Packing for 8' screens.	1	\$54.20
	95052	Packing for 9' screens.	1	60.30
	95053	Packing for 10' screens.	1	66.40
	95054	Packing for 12' screens.	1	76.40

Portable and
Wall Screens



SIDE VIEWS



MODEL C FLOOR STAND

Item No.	Da-Lite Part No.	Description	Quantity Required	List Price Each
1	73294	Center tube handle	1	\$67.90
2	73295	Top tube handle	1	67.90
3	44740	Screw for center and top tube handles	2	0.16
4	44746	Screw for gooseneck	1	0.32
5	73296	Gooseneck assy.	1	61.30
6	57702	Top tube assy. (includes #2, 3, 4, 5, and 7)	1	181.00
7	57699	Spring button assy.	3	5.60
8	57703	Center tube assy. (includes #1, 3, and 7)	1	128.00
9	57704	Bottom tube assy.	1	64.70
		For complete tube assy., order as follows: (includes #1-9)		
	57697	Tube assembly	1	279.00
10	44700	Thumb screw, 1/4 - 20 x 1/2"	5	0.90
11	82888	Plug, 1 1/2" Black	4	0.68
12	57701	End bracket assy., (includes #10)	2	68.00
	78140	End bracket assy. for carpeted Floor Model C (includes #10).	2	68.00
13	57700	Center bracket assy. (includes #7 and 10)	1	214.00
14	45092	Support tube, 1 1/2" diameter x 60"	2	21.20
	89848	Packing for Floor Model C Stand	1	17.00

Portable and Wall Screens