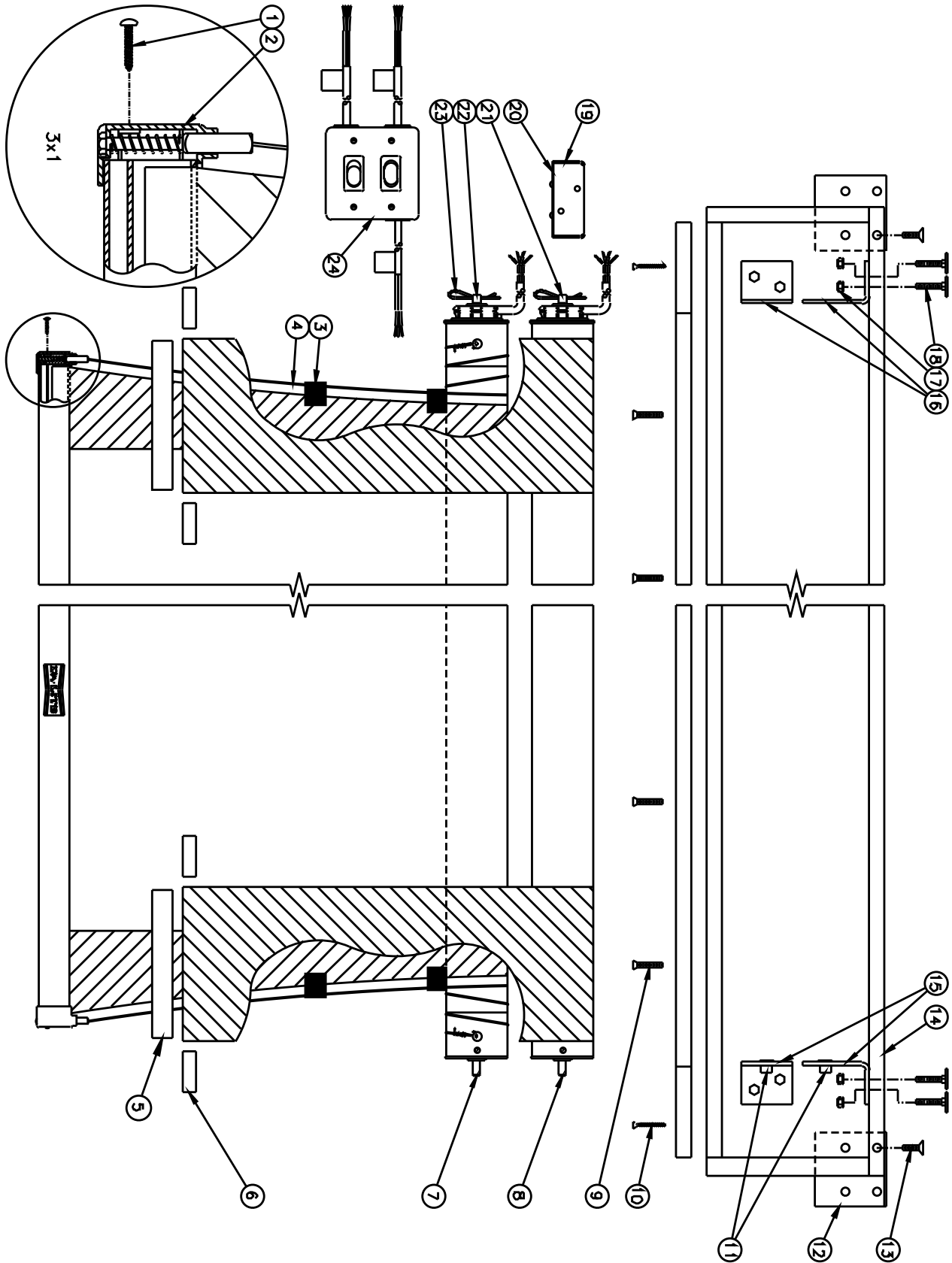




TENSIONED DUAL MASKING ELECTROL®



TENSIONED DUAL MASKING ELECTROL®

| Item No. | Da-Lite Part No. | Description | Quantity Required | List Price Each |
|----------|------------------|---|-------------------|-----------------|
| 1 | 44839 | Screw for slat cap assy. | 4 | \$0.26 |
| 2 | 92030 | Slat cap assy. (includes #1). | 2 | 9.00 |
| 3 | 94680 | Tab. | 14-24 | 0.34 |
| 4 | 75658 | Line, chalk and mason black (per foot) (Figure one side at approximately height of fabric + 2' + any extra needed) | Per size | 0.22 |
| 5 | 80142 | Weight bar for 50" x 92 1/2" Letter Box and 45" x 106" Cinemascope screens | 2 | 15.30 |
| | 80143 | Weight bar for 60" x 111" Letter Box screens | 2 | 19.70 |
| | 80144 | Weight bar for 69" x 128" Letter Box and 65" x 153" Cinemascope screens | 2 | 21.80 |
| | 80145 | Weight bar for 87" x 161" Letter Box screens. | 2 | 24.00 |
| | 84123 | Weight bar for 45" x 80" HDTV screens | 2 | 13.10 |
| | 80146 | Weight bar for 50" x 89" HDTV screens | 2 | 15.30 |
| | 95144 | Weight bar for 54" x 96" HDTV screens | 2 | 17.50 |
| | 80147 | Weight bar for 60" x 107" HDTV and 49" x 115" Cinemascope screens | 2 | 19.70 |
| | 80148 | Weight bar for 69" x 123" HDTV screens | 2 | 21.80 |
| | 80149 | Weight bar for 87" x 155" HDTV screens | 2 | 24.00 |
| | 98409 | Weight bar for 52" x 122" and 54" x 126" Cinemascope screens | 2 | 21.80 |
| | 98411 | Weight bar for 58" x 136" Cinemascope screens | 2 | 24.00 |
| 6 | 46922 | Tape for pocket end, black | 4 | 0.64 |
| | 91876 | Tape for pocket, black (not shown). | 4 | 0.64 |
| 7 | | Fabric and roller assemblies include #2, 3 and 4 | | |
| | 80665 | Fabric and roller assy., Da-Mat 50" x 92 1/2" Letter Box. | 1 | 978.00 |
| | 89015 | Fabric and roller assy., High Contrast Da-Mat 50" x 92 1/2" Letter Box | 1 | 978.00 |
| | 80667 | Fabric and roller assy., Pearlescent 50" x 92 1/2" Letter Box | 1 | 1348.00 |
| | 80666 | Fabric and roller assy., Cinema Vision 50" x 92 1/2" Letter Box | 1 | 1636.00 |
| | 90429 | Fabric and roller assy., High Contrast Cinema Vision 50" x 92 1/2" Letter Box. | 1 | 1636.00 |
| | 91623 | Fabric and roller assy., High Contrast Cinema Perf 50" x 92 1/2" Letter Box | 1 | 2084.00 |
| | 83893 | Fabric and roller assy., Audio Vision 50" x 92 1/2" Letter Box. | 1 | 1860.00 |
| | 91447 | Fabric and roller assy., High Contrast Audio Vision 50" x 92 1/2" Letter Box | 1 | 1860.00 |
| | 86461 | Fabric and roller assy., Da-Tex 50" x 92 1/2" Letter Box | 1 | 1518.00 |
| | 80689 | Fabric and roller assy., Dual Vision 50" x 92 1/2" Letter Box. | 1 | 1518.00 |
| | 80668 | Fabric and roller assy., Da-Mat 60" x 111" Letter Box | 1 | 1210.00 |
| | 89016 | Fabric and roller assy., High Contrast Da-Mat 60" x 111" Letter Box | 1 | 1210.00 |
| | 80670 | Fabric and roller assy., Pearlescent 60" x 111" Letter Box. | 1 | 1656.00 |
| | 80669 | Fabric and roller assy., Cinema Vision 60" x 111" Letter Box. | 1 | 2002.00 |
| | 90430 | Fabric and roller assy., High Contrast Cinema Vision 60" x 111" Letter Box | 1 | 2002.00 |
| | 91624 | Fabric and roller assy., High Contrast Cinema Perf 60" x 111" Letter Box. | 1 | 2446.00 |
| | 83894 | Fabric and roller assy., Audio Vision 60" x 111" Letter Box | 1 | 2224.00 |
| | 91448 | Fabric and roller assy., High Contrast Audio Vision 60" x 111" Letter Box. | 1 | 2224.00 |
| | 86462 | Fabric and roller assy., Da-Tex 60" x 111" Letter Box. | 1 | 1862.00 |
| | 80690 | Fabric and roller assy., Dual Vision 60" x 111" Letter Box | 1 | 1862.00 |
| | 80671 | Fabric and roller assy., Da-Mat 69" x 128" Letter Box. | 1 | 1376.00 |
| | 89017 | Fabric and roller assy., High Contrast Da-Mat 69" x 128" Letter Box | 1 | 1376.00 |
| | 80673 | Fabric and roller assy., Pearlescent 69" x 128" Letter Box | 1 | 1882.00 |
| | 80672 | Fabric and roller assy., Cinema Vision 69" x 128" Letter Box | 1 | 2270.00 |
| | 90431 | Fabric and roller assy., High Contrast Cinema Vision 69" x 128" Letter Box. | 1 | 2270.00 |
| | 91625 | Fabric and roller assy., High Contrast Cinema Perf 69" x 128" Letter Box | 1 | 2716.00 |
| | 83895 | Fabric and roller assy., Audio Vision 69" x 128" Letter Box | 1 | 2492.00 |
| | 91449 | Fabric and roller assy., High Contrast Audio Vision 69" x 128" Letter Box | 1 | 2492.00 |
| | 86463 | Fabric and roller assy., Da-Tex 69" x 128" Letter Box | 1 | 2112.00 |
| | 80691 | Fabric and roller assy., Dual Vision 69" x 128" Letter Box. | 1 | 2112.00 |
| | 80674 | Fabric and roller assy., Da-Mat 87" x 161" Letter Box. | 1 | 1718.00 |
| | 89018 | Fabric and roller assy., High Contrast Da-Mat 87" x 161" Letter Box | 1 | 1718.00 |

TENSIONED DUAL MASKING ELECTROL®

| Item No. | Da-Lite Part No. | Description | Quantity Required | List Price Each |
|----------|------------------|--|-------------------|-----------------|
| | 80676 | Fabric and roller assy., Pearlescent 87" x 161" Letter Box | 1 | \$2304.00 |
| | 80675 | Fabric and roller assy., Cinema Vision 87" x 161" Letter Box | 1 | 2754.00 |
| | 90432 | Fabric and roller assy., High Contrast Cinema Vision 87" x 161" Letter Box | 1 | 2754.00 |
| | 93130 | Fabric and roller assy., High Contrast Cinema Perf 87" x 161" Letter Box | 1 | 2826.00 |
| | 93128 | Fabric and roller assy., Audio Vision 87" x 161" Letter Box | 1 | 2604.00 |
| | 93129 | Fabric and roller assy., High Contrast Audio Vision 87" x 161" Letter Box | 1 | 2604.00 |
| | 86464 | Fabric and roller assy., Da-Tex 87" x 161" Letter Box | 1 | 2570.00 |
| | 80692 | Fabric and roller assy., Dual Vision 87" x 161" Letter Box | 1 | 2570.00 |
| | 84127 | Fabric and roller assy., Da-Mat 45" x 80" HDTV | 1 | 882.00 |
| | 89019 | Fabric and roller assy., High Contrast Da-Mat 45" x 80" HDTV | 1 | 882.00 |
| | 84128 | Fabric and roller assy., Pearlescent 45" x 80" HDTV | 1 | 1218.00 |
| | 84129 | Fabric and roller assy., Cinema Vision 45" x 80" HDTV | 1 | 1474.00 |
| | 90433 | Fabric and roller assy., High Contrast Cinema Vision 45" x 80" HDTV | 1 | 1474.00 |
| | 91626 | Fabric and roller assy., High Contrast Cinema Perf 45" x 80" HDTV | 1 | 1922.00 |
| | 83896 | Fabric and roller assy., Audio Vision 45" x 80" HDTV | 1 | 1698.00 |
| | 91450 | Fabric and roller assy., High Contrast Audio Vision 45" x 80" HDTV | 1 | 1698.00 |
| | 86465 | Fabric and roller assy., Da-Tex 45" x 80" HDTV | 1 | 1372.00 |
| | 86470 | Fabric and roller assy., Dual Vision 45" x 80" HDTV | 1 | 1372.00 |
| | 80677 | Fabric and roller assy., Da-Mat 50" x 89" HDTV | 1 | 978.00 |
| | 89020 | Fabric and roller assy., High Contrast Da-Mat 50" x 89" HDTV | 1 | 978.00 |
| | 80679 | Fabric and roller assy., Pearlescent 50" x 89" HDTV | 1 | 1348.00 |
| | 80678 | Fabric and roller assy., Cinema Vision 50" x 89" HDTV | 1 | 1636.00 |
| | 90434 | Fabric and roller assy., High Contrast Cinema Vision 50" x 89" HDTV | 1 | 1636.00 |
| | 91627 | Fabric and roller assy., High Contrast Cinema Perf 50" x 89" HDTV | 1 | 2084.00 |
| | 83897 | Fabric and roller assy., Audio Vision 50" x 89" HDTV | 1 | 1860.00 |
| | 91451 | Fabric and roller assy., High Contrast Audio Vision 50" x 89" HDTV | 1 | 1860.00 |
| | 86466 | Fabric and roller assy., Da-Tex 50" x 89" HDTV | 1 | 1518.00 |
| | 80693 | Fabric and roller assy., Dual Vision 50" x 89" HDTV | 1 | 1518.00 |
| | 95108 | Fabric and roller assy., Da-Mat 54" x 96" HDTV | 1 | 1078.00 |
| | 95109 | Fabric and roller assy., High Contrast Da-Mat 54" x 96" HDTV | 1 | 1078.00 |
| | 95110 | Fabric and roller assy., Pearlescent 54" x 96" HDTV | 1 | 1482.00 |
| | 95111 | Fabric and roller assy., Cinema Vision 54" x 96" HDTV | 1 | 1798.00 |
| | 95112 | Fabric and roller assy., High Contrast Cinema Vision 54" x 96" HDTV | 1 | 1798.00 |
| | 95113 | Fabric and roller assy., High Contrast Cinema Perf 54" x 96" HDTV | 1 | 2244.00 |
| | 95114 | Fabric and roller assy., Audio Vision 54" x 96" HDTV | 1 | 2044.00 |
| | 95115 | Fabric and roller assy., High Contrast Audio Vision 54" x 96" HDTV | 1 | 2044.00 |
| | 95116 | Fabric and roller assy., Da-Tex 54" x 96" HDTV | 1 | 1670.00 |
| | 95117 | Fabric and roller assy., Dual Vision 54" x 96" HDTV | 1 | 1670.00 |
| | 80680 | Fabric and roller assy., Da-Mat 60" x 107" HDTV | 1 | 1210.00 |
| | 89021 | Fabric and roller assy., High Contrast Da-Mat 60" x 107" HDTV | 1 | 1210.00 |
| | 80682 | Fabric and roller assy., Pearlescent 60" x 107" HDTV | 1 | 1656.00 |
| | 80681 | Fabric and roller assy., Cinema Vision 60" x 107" HDTV | 1 | 2002.00 |
| | 90435 | Fabric and roller assy., High Contrast Cinema Vision 60" x 107" HDTV | 1 | 2002.00 |
| | 91628 | Fabric and roller assy., High Contrast Cinema Perf 60" x 107" HDTV | 1 | 2446.00 |
| | 83898 | Fabric and roller assy., Audio Vision 60" x 107" HDTV | 1 | 2224.00 |
| | 91452 | Fabric and roller assy., High Contrast Audio Vision 60" x 107" HDTV | 1 | 2224.00 |
| | 86467 | Fabric and roller assy., Da-Tex 60" x 107" HDTV | 1 | 1862.00 |
| | 80694 | Fabric and roller assy., Dual Vision 60" x 107" HDTV | 1 | 1862.00 |
| | 80683 | Fabric and roller assy., Da-Mat 69" x 123" HDTV | 1 | 1376.00 |
| | 89022 | Fabric and roller assy., High Contrast Da-Mat 69" x 123" HDTV | 1 | 1376.00 |
| | 80685 | Fabric and roller assy., Pearlescent 69" x 123" HDTV | 1 | 1882.00 |
| | 80684 | Fabric and roller assy., Cinema Vision 69" x 123" HDTV | 1 | 2270.00 |

Electric Screens

TENSIONED DUAL MASKING ELECTROL®

| Item No. | Da-Lite Part No. | Description | Quantity Required | List Price Each |
|----------|------------------|---|-------------------|-----------------|
| | 90436 | Fabric and roller assy., High Contrast Cinema Vision 69" x 123" HDTV | 1 | \$2270.00 |
| | 91629 | Fabric and roller assy., High Contrast Cinema Perf 69" x 123" HDTV | 1 | 2716.00 |
| | 83899 | Fabric and roller assy., Audio Vision 69" x 123" HDTV | 1 | 2492.00 |
| | 91453 | Fabric and roller assy., High Contrast Audio Vision 69" x 123" HDTV | 1 | 2492.00 |
| | 86468 | Fabric and roller assy., Da-Tex 69" x 123" HDTV | 1 | 2112.00 |
| | 80695 | Fabric and roller assy., Dual Vision 69" x 123" HDTV | 1 | 2112.00 |
| | 80686 | Fabric and roller assy., Da-Mat 87" x 155" HDTV | 1 | 1718.00 |
| | 89023 | Fabric and roller assy., High Contrast Da-Mat 87" x 155" HDTV | 1 | 1718.00 |
| | 80688 | Fabric and roller assy., Pearlescent 87" x 155" HDTV | 1 | 2304.00 |
| | 80687 | Fabric and roller assy., Cinema Vision 87" x 155" HDTV | 1 | 2754.00 |
| | 90437 | Fabric and roller assy., High Contrast Cinema Vision 87" x 155" HDTV | 1 | 2754.00 |
| | 93136 | Fabric and roller assy., High Contrast Cinema Perf 87" x 155" HDTV | 1 | 2836.00 |
| | 93134 | Fabric and roller assy., Audio Vision 87" x 155" HDTV | 1 | 2612.00 |
| | 93135 | Fabric and roller assy., High Contrast Audio Vision 87" x 155" HDTV | 1 | 2612.00 |
| | 86469 | Fabric and roller assy., Da-Tex 87" x 155" HDTV | 1 | 2570.00 |
| | 80696 | Fabric and roller assy., Dual Vision 87" x 155" HDTV | 1 | 2570.00 |
| | 98413 | Fabric and roller assy., Da-Mat 45" x 106" Cinemascope | 1 | 1210.00 |
| | 98414 | Fabric and roller assy., High Contrast Da-Mat 45" x 106" Cinemascope | 1 | 1210.00 |
| | 98415 | Fabric and roller assy., Pearlescent 45" x 106" Cinemascope | 1 | 1656.00 |
| | 98416 | Fabric and roller assy., Cinema Vision 45" x 106" Cinemascope | 1 | 2002.00 |
| | 98417 | Fabric and roller assy., High Contrast Cinema Vision 45" x 106" Cinemascope | 1 | 2002.00 |
| | 98418 | Fabric and roller assy., High Contrast Cinema Perf 45" x 106" Cinemascope | 1 | 2446.00 |
| | 98419 | Fabric and roller assy., Audio Vision 45" x 106" Cinemascope | 1 | 2224.00 |
| | 98420 | Fabric and roller assy., High Contrast Audio Vision 45" x 106" Cinemascope | 1 | 2224.00 |
| | 98421 | Fabric and roller assy., Da-Tex 45" x 106" Cinemascope | 1 | 1862.00 |
| | 98422 | Fabric and roller assy., Dual Vision 45" x 106" Cinemascope | 1 | 1862.00 |
| | 98423 | Fabric and roller assy., Da-Mat 49" x 115" Cinemascope | 1 | 1210.00 |
| | 98424 | Fabric and roller assy., High Contrast Da-Mat 49" x 115" Cinemascope | 1 | 1210.00 |
| | 98425 | Fabric and roller assy., Pearlescent 49" x 115" Cinemascope | 1 | 1656.00 |
| | 98426 | Fabric and roller assy., Cinema Vision 49" x 115" Cinemascope | 1 | 2002.00 |
| | 98427 | Fabric and roller assy., High Contrast Cinema Vision 49" x 115" Cinemascope | 1 | 2002.00 |
| | 98428 | Fabric and roller assy., High Contrast Cinema Perf 49" x 115" Cinemascope | 1 | 2446.00 |
| | 98429 | Fabric and roller assy., Audio Vision 49" x 115" Cinemascope | 1 | 2224.00 |
| | 98430 | Fabric and roller assy., High Contrast Audio Vision 49" x 115" Cinemascope | 1 | 2224.00 |
| | 98431 | Fabric and roller assy., Da-Tex 49" x 115" Cinemascope | 1 | 1862.00 |
| | 98432 | Fabric and roller assy., Dual Vision 49" x 115" Cinemascope | 1 | 1862.00 |
| | 98433 | Fabric and roller assy., Da-Mat 52" x 122" Cinemascope | 1 | 1376.00 |
| | 98434 | Fabric and roller assy., High Contrast Da-Mat 52" x 122" Cinemascope | 1 | 1376.00 |
| | 98435 | Fabric and roller assy., Pearlescent 52" x 122" Cinemascope | 1 | 1882.00 |
| | 98436 | Fabric and roller assy., Cinema Vision 52" x 122" Cinemascope | 1 | 2270.00 |
| | 98437 | Fabric and roller assy., High Contrast Cinema Vision 52" x 122" Cinemascope | 1 | 2270.00 |
| | 98438 | Fabric and roller assy., High Contrast Cinema Perf 52" x 122" Cinemascope | 1 | 2716.00 |
| | 98439 | Fabric and roller assy., Audio Vision 52" x 122" Cinemascope | 1 | 2492.00 |
| | 98440 | Fabric and roller assy., High Contrast Audio Vision 52" x 122" Cinemascope | 1 | 2492.00 |
| | 98441 | Fabric and roller assy., Da-Tex 52" x 122" Cinemascope | 1 | 2112.00 |
| | 98442 | Fabric and roller assy., Dual Vision 52" x 122" Cinemascope | 1 | 2112.00 |
| | 98443 | Fabric and roller assy., Da-Mat 54" x 126" Cinemascope | 1 | 1376.00 |
| | 98444 | Fabric and roller assy., High Contrast Da-Mat 54" x 126" Cinemascope | 1 | 1376.00 |
| | 98445 | Fabric and roller assy., Pearlescent 54" x 126" Cinemascope | 1 | 1882.00 |
| | 98446 | Fabric and roller assy., Cinema Vision 54" x 126" Cinemascope | 1 | 2270.00 |
| | 98447 | Fabric and roller assy., High Contrast Cinema Vision 54" x 126" Cinemascope | 1 | 2270.00 |
| | 98448 | Fabric and roller assy., High Contrast Cinema Perf 54" x 126" Cinemascope | 1 | 2716.00 |

TENSIONED DUAL MASKING ELECTROL®

Electric Screens

| Item No. | Da-Lite Part No. | Description | Quantity Required | List Price Each |
|----------|------------------|---|-------------------|-----------------|
| | 98449 | Fabric and roller assy., Audio Vision 54" x 126" Cinemascope | 1 | \$2492.00 |
| | 98450 | Fabric and roller assy., High Contrast Audio Vision 54" x 126" Cinemascope | 1 | 2492.00 |
| | 98451 | Fabric and roller assy., Da-Tex 54" x 126" Cinemascope | 1 | 2112.00 |
| | 98452 | Fabric and roller assy., Dual Vision 54" x 126" Cinemascope | 1 | 2112.00 |
| | 98453 | Fabric and roller assy., Da-Mat 58" x 136" Cinemascope | 1 | 1546.00 |
| | 98454 | Fabric and roller assy., High Contrast Da-Mat 58" x 136" Cinemascope | 1 | 1546.00 |
| | 98455 | Fabric and roller assy., Pearlescent 58" x 136" Cinemascope | 1 | 2092.00 |
| | 98456 | Fabric and roller assy., Cinema Vision 58" x 136" Cinemascope | 1 | 2512.00 |
| | 98457 | Fabric and roller assy., High Contrast Cinema Vision 58" x 136" Cinemascope | 1 | 2512.00 |
| | 98458 | Fabric and roller assy., High Contrast Cinema Perf 58" x 136" Cinemascope | 1 | 2776.00 |
| | 98459 | Fabric and roller assy., Audio Vision 58" x 136" Cinemascope | 1 | 2554.00 |
| | 98460 | Fabric and roller assy., High Contrast Audio Vision 58" x 136" Cinemascope | 1 | 2554.00 |
| | 98461 | Fabric and roller assy., Da-Tex 58" x 136" Cinemascope | 1 | 2342.00 |
| | 98462 | Fabric and roller assy., Dual Vision 58" x 136" Cinemascope | 1 | 2342.00 |
| | 98463 | Fabric and roller assy., Da-Mat 65" x 153" Cinemascope | 1 | 1718.00 |
| | 98464 | Fabric and roller assy., High Contrast Da-Mat 65" x 153" Cinemascope | 1 | 1718.00 |
| | 98465 | Fabric and roller assy., Pearlescent 65" x 153" Cinemascope | 1 | 2304.00 |
| | 98466 | Fabric and roller assy., Cinema Vision 65" x 153" Cinemascope | 1 | 2754.00 |
| | 98467 | Fabric and roller assy., High Contrast Cinema Vision 65" x 153" Cinemascope | 1 | 2754.00 |
| | 98468 | Fabric and roller assy., High Contrast Cinema Perf 65" x 153" Cinemascope | 1 | 2836.00 |
| | 98469 | Fabric and roller assy., Audio Vision 65" x 153" Cinemascope | 1 | 2612.00 |
| | 98470 | Fabric and roller assy., High Contrast Audio Vision 65" x 153" Cinemascope | 1 | 2612.00 |
| | 98471 | Fabric and roller assy., Da-Tex 65" x 153" Cinemascope | 1 | 2570.00 |
| | 98472 | Fabric and roller assy., Dual Vision 65" x 153" Cinemascope | 1 | 2570.00 |
| 8 | 80110 | Mask and roller assy., Matte White for 50" x 67" Letter Box | 1 | 124.00 |
| | 80111 | Mask and roller assy., Matte White for 60" x 80" Letter Box | 1 | 139.00 |
| | 80112 | Mask and roller assy., Matte White for 69" x 92" Letter Box | 1 | 151.00 |
| | 80113 | Mask and roller assy., Matte White for 87" x 116" Letter Box | 1 | 172.00 |
| | 84122 | Mask and roller assy., Matte White for 45" x 60" HDTV | 1 | 109.00 |
| | 80114 | Mask and roller assy., Matte White for 50" x 67" HDTV | 1 | 124.00 |
| | 95143 | Mask and roller assy., Matte White for 54" x 72" HDTV | 1 | 128.00 |
| | 80115 | Mask and roller assy., Matte White for 60" x 80" HDTV | 1 | 139.00 |
| | 80116 | Mask and roller assy., Matte White for 69" x 92" HDTV | 1 | 151.00 |
| | 80117 | Mask and roller assy., Matte White for 87" x 116" HDTV | 1 | 172.00 |
| | 98383 | Mask and roller assy., Matte White for 45" x 80" Cinemascope | 1 | 139.00 |
| | 98384 | Mask and roller assy., Matte White for 49" x 87" Cinemascope | 1 | 149.00 |
| | 98385 | Mask and roller assy., Matte White for 52" x 92" Cinemascope | 1 | 151.00 |
| | 98386 | Mask and roller assy., Matte White for 54" x 96" Cinemascope | 1 | 153.00 |
| | 98387 | Mask and roller assy., Matte White for 58" x 104" Cinemascope | 1 | 164.00 |
| | 98388 | Mask and roller assy., Matte White for 65" x 116" Cinemascope | 1 | 172.00 |
| 9 | 77459 | Screw, machine #10 - 24 x 1 - 1/4" long flat head | Per size | 0.16 |
| 10 | 76725 | Screw, drywall #6 x 1 - 5/8" long flat head | 2 | 0.14 |
| 11 | 46394 | Flanged bearing | 2 | 0.52 |
| 12 | 74107 | Bracket, universal black. | 4 | 5.60 |
| 13 | 44776 | Screw, machine 1/4" - 20 x 1" long flat head | 12 | 0.18 |
| 14 | 80022 | Case assy. for 50" x 92 1/2" Letter Box screens | 1 | 304.00 |
| | 80023 | Case assy. for 60" x 111" Letter Box screens | 1 | 340.00 |
| | 80024 | Case assy. for 69" x 128" Letter Box screens | 1 | 376.00 |
| | 80025 | Case assy. for 87" x 161" Letter Box screens | 1 | 416.00 |
| | 84118 | Case assy. for 45" x 80" HDTV screens | 1 | 256.00 |
| | 80026 | Case assy. for 50" x 89" HDTV screens | 1 | 304.00 |
| | 95128 | Case assy. for 54" x 96" HDTV screens | 1 | 318.00 |

TENSIONED DUAL MASKING ELECTROL®

| Item No. | Da-Lite Part No. | Description | Quantity Required | List Price Each |
|----------|------------------|--|-------------------|-----------------|
| | 80027 | Case assy. for 60" x 107" HDTV screens | 1 | \$340.00 |
| | 80028 | Case assy. for 69" x 123" HDTV screens | 1 | 376.00 |
| | 80029 | Case assy. for 87" x 155" HDTV screens | 1 | 416.00 |
| | 98377 | Case assy. for 45" x 106" Cinemascope | 1 | 340.00 |
| | 98378 | Case assy. for 49" x 115" Cinemascope | 1 | 350.00 |
| | 98379 | Case assy. for 52" x 122" Cinemascope | 1 | 376.00 |
| | 98380 | Case assy. for 54" x 126" Cinemascope | 1 | 376.00 |
| | 98381 | Case assy. for 58" x 136" Cinemascope | 1 | 396.00 |
| | 98382 | Case assy. for 65" x 153" Cinemascope | 1 | 416.00 |
| 15 | 86644 | Roller bracket assy., pin end (includes #11) | 1 | 11.40 |
| 16 | 86409 | Roller bracket assy., motor end | 1 | 11.40 |
| 17 | 80874 | Hex nut, 1/4" - 20 for roller brackets | 8 | 0.30 |
| 18 | 46306 | Elevator bolt, 1/4" - 20 x 1 - 1/2" long for roller brackets. | 8 | 0.48 |
| 19 | 94080 | Junction box | 1 | 5.60 |
| 20 | 91175 | Junction box cover | 1 | 2.50 |
| 21 | 79502 | Motor assy., 120v for mask | 1 | 600.00 |
| | 91935S | Motor assy., 120v Silent for mask | 1 | 800.00 |
| | 32698 | Motor assy., 240v for mask | 1 | 600.00 |
| | 32698S | Motor assy., 240v Silent for mask | 1 | 800.00 |
| 22 | 33152 | Motor assy., 120v for screens | 1 | 600.00 |
| | 33152S | Motor assy., 120v Silent for screens | 1 | 800.00 |
| | 32717 | Motor assy., 240v for screens | 1 | 600.00 |
| | 32719S | Motor assy., 240v Silent for screens | 1 | 800.00 |
| | 94785TABS | Drive wheel/rubber mount for screens purchased before 1/22/04 (not shown). | 1 | 20.00 |
| 23 | 97290 | Hair cotter pin, 5/16" - 1/2" x 1 5/8" | 2 | 0.46 |
| 24 | 77710 | Switch assy., 120v | 1 | 105.00 |
| | 77749 | Switch assy., 240v | 1 | 105.00 |