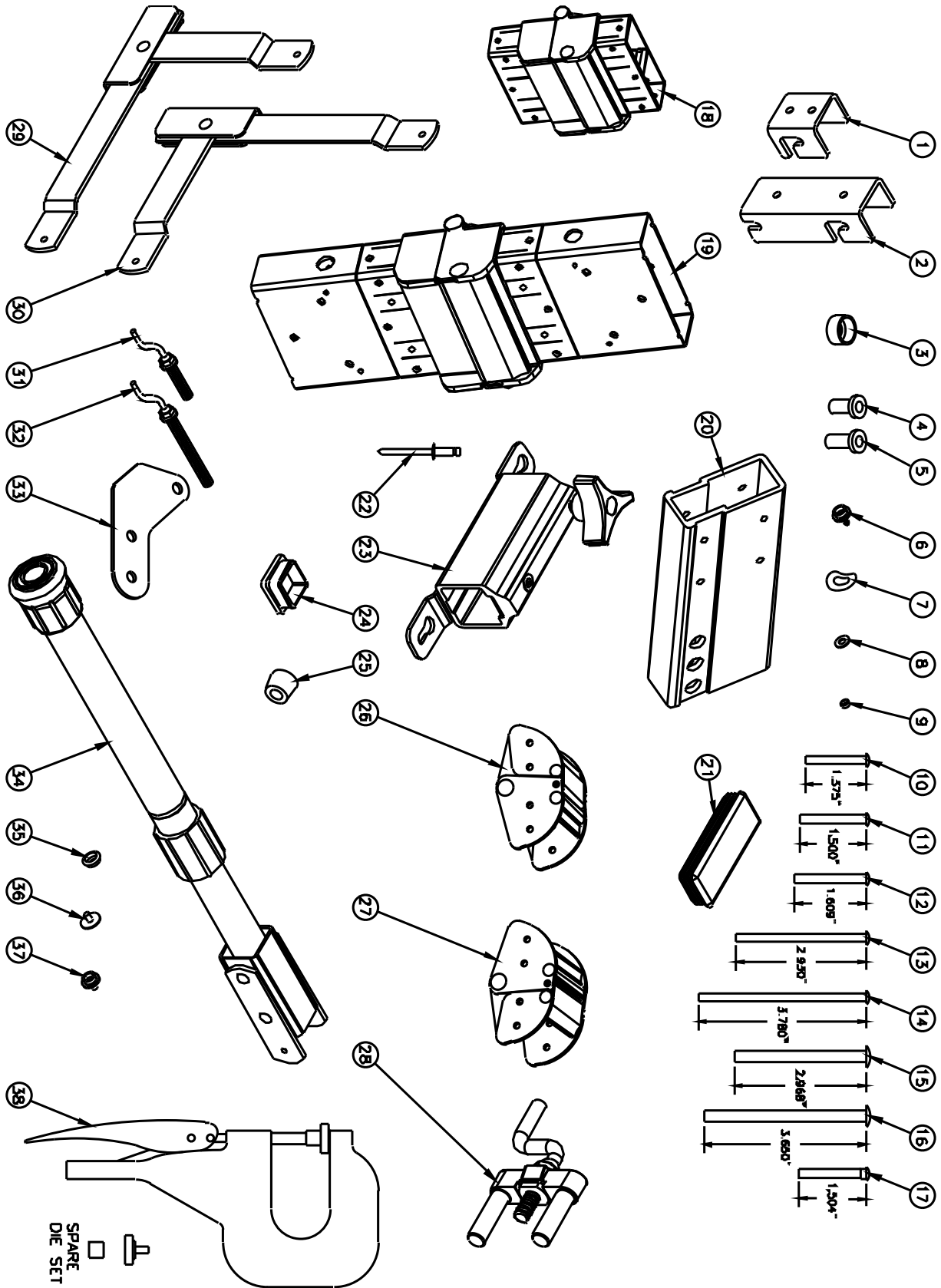




# HEAVY DUTY FAST-FOLD® DELUXE REPLACEMENT PARTS

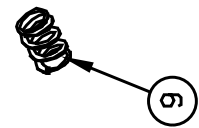
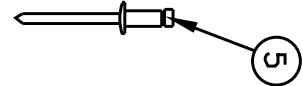
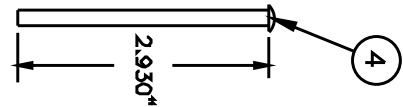
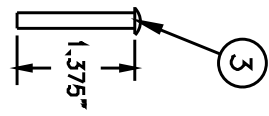
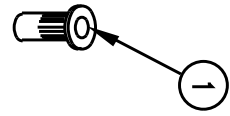
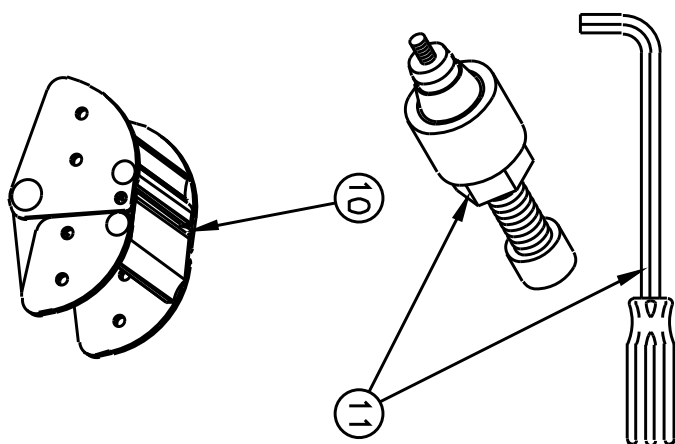
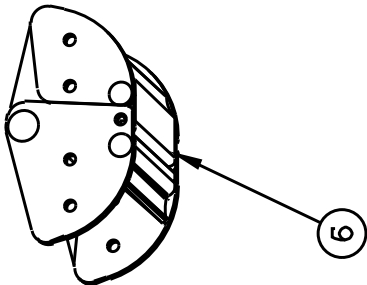
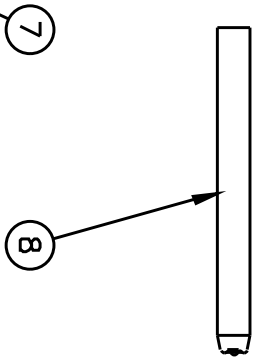
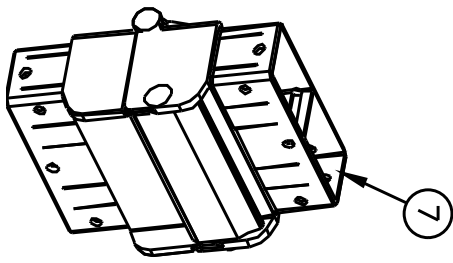


# HEAVY DUTY FAST-FOLD® DELUXE REPLACEMENT PARTS

Item No.	Da-Lite Part No.	Description	Quantity Required	List Price Each
1	89179AN	Short hanger for wing arms . . . . .	2	\$7.40
2	89178AN	Long hanger for valance bar, wing bar and skirt bar sliders . . . . .	2	12.40
3	90982	Rivnut spacer - used between frame and leg assy. . . . .	8-20	0.64
4	78454	Rivnut, short steel 5/16 - 18 - used on leg assy. . . . .	4	2.00
5	47473	Rivnut, steel 5/16 - 18 long - used to screw speedy cranks to frames . . . . .	varies	2.70
6	47441	Snap stud - mounts to frame to snap fabric onto frame . . . . .	varies	0.58
7	44829	Washer, spring .563OD x .195ID x .008T - used on leg brace assembly and . . . . .	3	0.22
		corner brace assembly		
8	47351	Washer, flat .437OD x .203ID x .031T - used to attach foot to frame . . . . .	2-6	0.22
9	93448	spacer - used as shoulder for #14 rivet . . . . .	4	1.50
10	44830	Rivet, .187 x 1.375" long - used to mount hinge/latch assy. to frame. . . . .	varies	0.24
11	88801	Rivet, .187 x 1.500" long - used to attach the foot to frame . . . . .	2-6	0.68
12	88802	Rivet, .186 x 1.609" long - used to attach rubber foot and latches to leg assy. . . . .	8	0.36
13	91777	Rivet, .184 x 2.93" long - used to mount the latch assy. to leg assy. . . . .	12	0.88
14	33431	Rivet, .186 x 3.78" long - used to attach the skirt bar slider to the frame ( used with #9). . . . .	4	1.36
15	91949	Rivet, .250 x 2.968 long - used to attach hinge/latch assy. to leg assy. . . . .	2-5	1.26
16	33143	Rivet, .250 x 3.650 long - used to attach blue latch on hinge/latch assy. . . . .	12	1.36
17	88901	Rivet, shoulder .238 x 1.504" long - mounts to frame to hook Dressup hardware . . . . .	6	0.46
18	37317	Hinge/latch assy. casting - used on the frame . . . . .	2-8	47.30
19	37318	Hinge/latch assy. extension casting - used on frame of 13' x 17' and over . . . . .	6/8	67.20
20	35132	Corner connecting tube - used on the frame . . . . .	4	23.70
21	33147	Plastic plug, 1.25" x 3.50" . . . . .	4	0.74
22	48570	Pop rivet - used to mount hinge/latch assy. casting to the frame . . . . .	4	0.30
23	93579	Skirt bar slider for adjustable skirt bar only . . . . .	2	38.50
24	88599	Plastic plug, 1.25" square . . . . .	8	0.52
25	47353	Rubber foot - used on leg assy. and dress up kit hardware . . . . .	6	0.46
26	99148	Left latch assy. - used on leg assy. . . . .	2-5	15.10
27	99150	Right latch assy. - used on leg assy. . . . .	2-5	15.10
28	94679	Corner lock assy. - used on frames . . . . .	4	12.60
29	58659	Right corner brace assembly - used on leg assy. . . . .	2	14.60
30	58660	Left corner brace assembly - used on leg assy. . . . .	2	14.60
31	89196	Short speedy crank, 2.96" . . . . .	1	
32	93488	Long speedy crank, 3.75" . . . . .	varies	5.30
33	91029PL	Corner hinge plate - used on leg assy. . . . .	4	0.68
34	89704	Skirt bar steadyrest assembly for 10' or wider skirt with skirt bar. . . . .	1	44.60
	89705	Skirt bar steadyrest assembly for extra long skirt with skirt bar . . . . .	1	44.60
35	47489	Light socket - used for all fabric snaps except corners. . . . .	varies	0.34
	47490	Heavy socket - used for dress up kits and corners. . . . .	varies	0.34
36	47491	Black cap - used on three sides of fabrics and dress up kits . . . . .	varies	0.34
37	47492	Double cap - used at the bottom of all fabrics . . . . .	varies	0.34
38	76781	Snap tool - used to replace both types of snaps . . . . .	1	284.00



# HEAVY DUTY FAST-FOLD® DELUXE FRAME REPAIR KIT



# HEAVY DUTY FAST-FOLD® DELUXE FRAME REPAIR KIT

Item No.	Da-Lite Part No.	Description	Quantity Required	List Price Each
1	47473	Rivnut, steel 5/16 - 18 long - used to screw speedy cranks to frames . . . . .	10	\$2.70
2	47441	Snap stud - mounts to frame to snap fabric onto frame . . . . .	20	0.58
3	44830	Rivet, .187 x 1.375" long - used to mount hinge/latch assy. to frame . . . . .	20	0.24
4	91777	Rivet, .184 x 2.93" long - used to mount the latch assy. to the legs . . . . .	16	0.88
5	48570	Pop rivet - used to mount hinge/latch assy. casting to the frame . . . . .	8	0.30
6	88806	Spring - used in latch assy., beneath the blue latch . . . . .	20	0.68
7	37317	Hinge/latch assy. casting - used on frame . . . . .	2	47.30
8	47206	Rivet setting tool. . . . .	1	87.20
9	99148	Left latch assy., used on legs . . . . .	2	15.10
10	99150	Right latch assy., used on legs . . . . .	2	15.10
11	47207	Rivnut tool. . . . .	1	181.00
		For complete HD Deluxe repair kit, order as follows: (includes #1-11)		
	36974	Fast-Fold HD Deluxe Repair Kit. . . . .	1	476.00