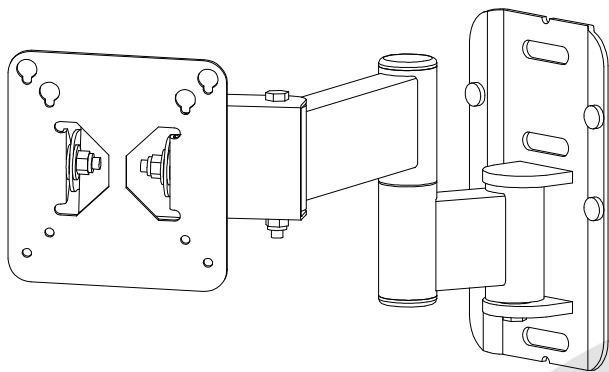




DA-LITE SCREEN COMPANY, INC.
 3100 North Detroit Street
 Post Office Box 137
 Warsaw, IN 46581-0137
 Phone: 574.267.8101
 Toll Free: 800.622.3737
 Fax: 574.267.7804
 www.da-lite.com
 info@da-lite.com

VESA Mount Articulating Arm VSM-AR1 and VSM-AR2

Form E-426
 Rev. 11 / 08



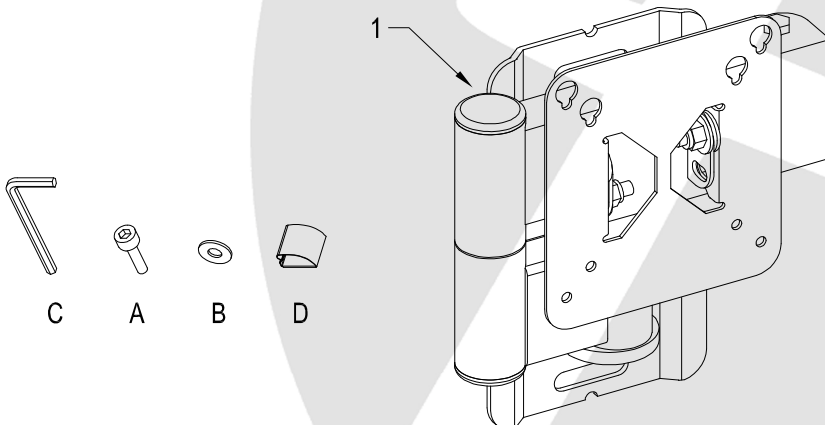
Caution: This product is designed for wall installation only. Qualified personnel using the appropriate fasteners should mount the Articulating Arm. The surface to which this unit is mounted must be capable of supporting a static load of four times the combined weight of the audio/visual device and mount. Do not attach to plaster, paneling or drywall alone.

Required Tools:

- 7/16" wrench
- 9/16" wrench
- Phillips screwdriver

Procedure

1. Remove contents from carton and examine for damaged or missing parts.



ITEM	DESCRIPTION	QTY
1	ARTICULATING ARM ASSEMBLY PACKAGE SET	1
A	SCREW, SHCS M4 X 12mm	4
B	WASHER, FLAT 0.21" ID	4
C	WRENCH, ALLEN 3mm	1
	PACKAGE SET	1
D	CLIP, CABLE MANAGEMENT	3

2. Due to the various wall constructions, careful consideration should be given to the selection and use of fasteners. For a listing of available fastener kits refer to the chart below.

Wall Construction	Fastener Kit Model Number	Hole Size
Concrete	A101 (3/8" cap screws and hollow set drop-in anchors)	5/8"
Wood Stud	A105 (3/8" lag screws)	3/16"
Metal Stud or Concrete Block	A109 (3/8" cap screws and anchors)	3/4"

3. Mount the Wall Plate to the wall in the desired location.
4. (Optional) The Swing Channel can be removed and reassembled to swing in the opposite direction. See Figure 1. It is recommended to flip the Tilt Plate as well.
5. Attach the flat panel display unit to the mount using the metric fasteners provided by partially inserting screws into the top two VESA threaded fastener locations of the flat panel display. Use the keyhole notches in the Tilt Plate to hold the flat panel display while inserting the bottom two screws of the VESA pattern. Tighten all screws.
6. Adjust the screws and nuts at all of the joints for the weight of your particular flat panel display unit. Check fasteners periodically.
7. (Optional) Adhere the cable management clips to the mount as needed to restrain the electrical cords and cables.

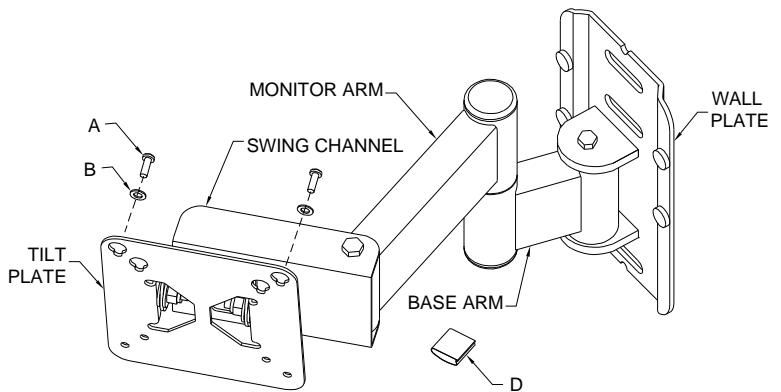


Figure 1