



DA-LITE SCREEN COMPANY, INC.  
3100 North Detroit Street  
Post Office Box 137  
Warsaw, IN 46581-0137  
Phone: 574.267.8101  
Toll Free: 800.622.3737  
Fax: 574.267.7804  
www.da-lite.com  
info@da-lite.com

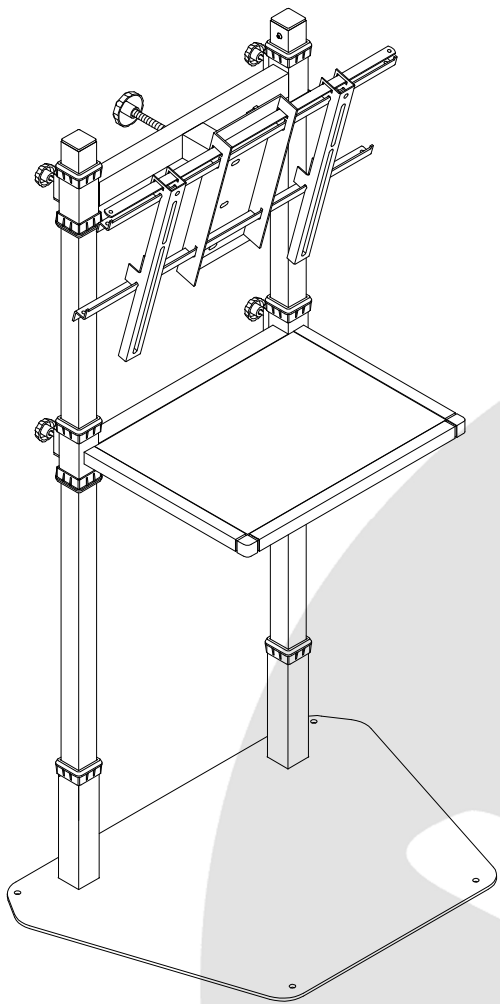
## Fixed Plasma Stand FPS-60, FPS-72, FPS-84

Form E-427  
Rev. 11 / 08

**Caution:** This product is designed for floor installation only. Qualified personnel using appropriate fasteners should mount the Fixed Plasma Stand to the floor.

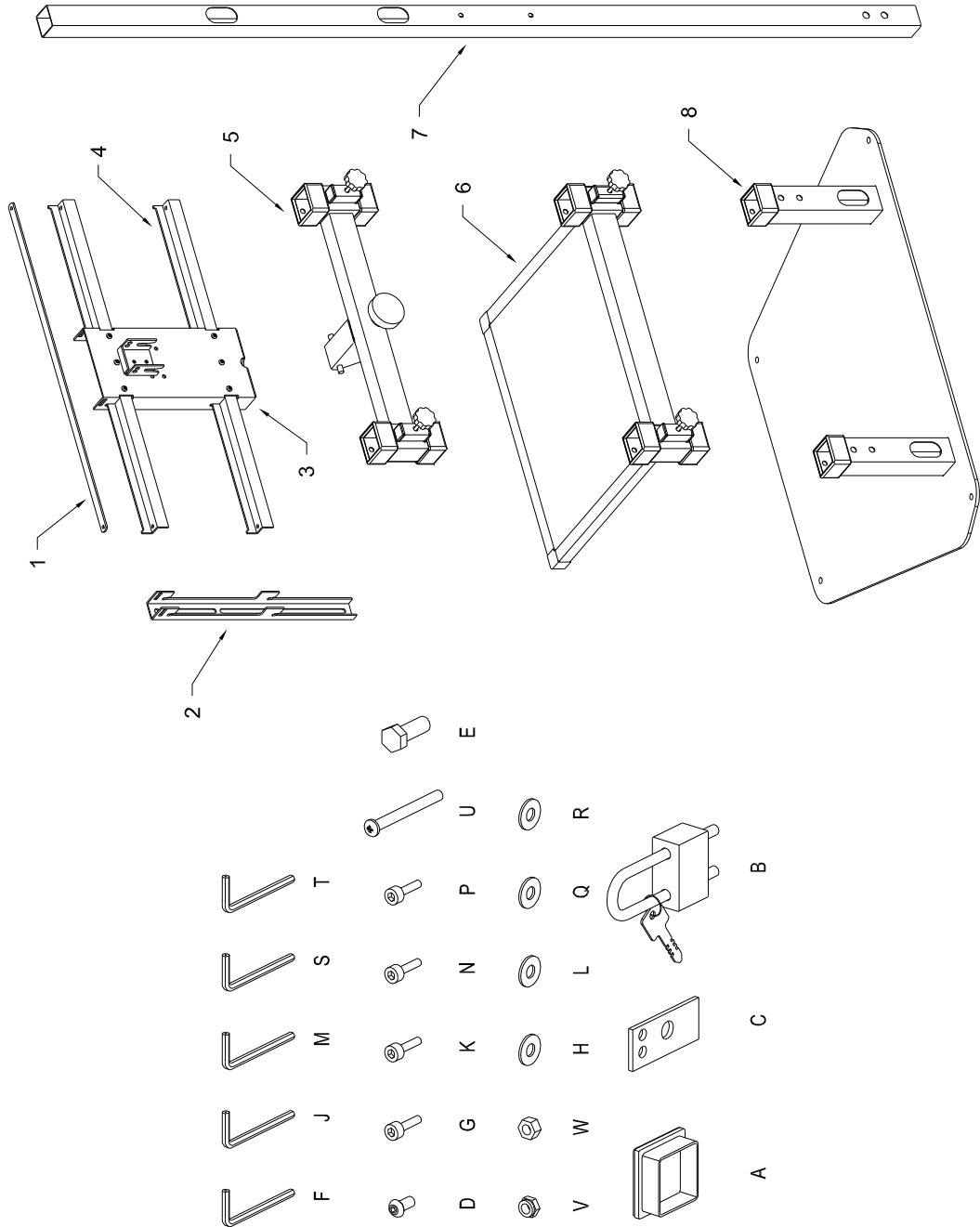
### Required Tools:

- 7/16" wrench
- 9/16" wrench
- Phillips screwdriver



### Procedure

1. Remove contents from carton and examine for damaged or missing parts.



ITEM	DESCRIPTION	QTY
1	SECURITY BAR	1
2	HANGING BRACKET	2
3	PLASMA PIVOT WELDMENT	1
4	ZEE BAR	2
5	TOP ASSEMBLY	1
6	SHELF ASSEMBLY	1
7	COLUMN	2
8	FIXED BASE ASSEMBLY	1
	PACKAGE SET	1
A	TUBE ENCLOSURE, 1-3/4" SQUARE	2
B	PADLOCK W/KEYS	1
C	PLATE LOCK	2
D	SCREW, BHSCS 1/4"-20 X 1/2"	4
E	SCREW, HHCS 3/8"-16 X 1"	4
F	WRENCH, ALLEN 5/32"	1
	PACKAGE SET	1
C	PADLOCK W/KEYS	1
	PACKAGE SET	1
G	SCREW, SHCS M8 X 20mm	4
H	WASHER, FLAT 3/8"	4
J	WRENCH, ALLEN 6mm	1
	PACKAGE SET	1
K	SCREW, SHCS M6 X 20mm	4
L	WASHER, FLAT 1/4"	4
M	WRENCH, ALLEN 5mm	1
	PACKAGE SET	1
N	SCREW, SHCS M5 X 20mm	4
P	SCREW, SHCS M4 X 12mm	4
Q	WASHER, FLAT #10	4
R	WASHER, FLAT #8	4
S	WRENCH, ALLEN 4mm	1
T	WRENCH, ALLEN 3mm	1
	PACKAGE SET	1
U	SCREW, MACH1/4"-20 X 2-1/2"	1
V	NUT, HEX 1/4"-20 NYLON LOCK	1
W	NUT, HEX 1/4"-20 KEPS	1

2. Insert two Columns into the Base and install the fasteners shown. See Figure 1. Leave loose at this time.

3. Slide the Shelf Assembly down the Columns. Position the Shelf by tightening both Knobs. Make sure unit is level.
4. Slide the Top Assembly down the Columns. Position the Top by tightening both Knobs. Make sure unit is level.
5. Tighten the fasteners at the bottom of the Columns.

6. Position the Plasma Mount on the Top Assembly. Secure Plasma Mount by installing two Lock Plates and securing with screws. See Figure 2.
7. The Large Knob in the back of the Top Assembly is used to control the tilt of the Plasma Mount.
8. Refer to instruction sheet E-408 for installation of the plasma unit.

9. Install tube enclosures. See Figure 3.
10. For security, install padlock on Top Assembly. See Figure 2. Install screws into the top of the Columns. See Figure 3.

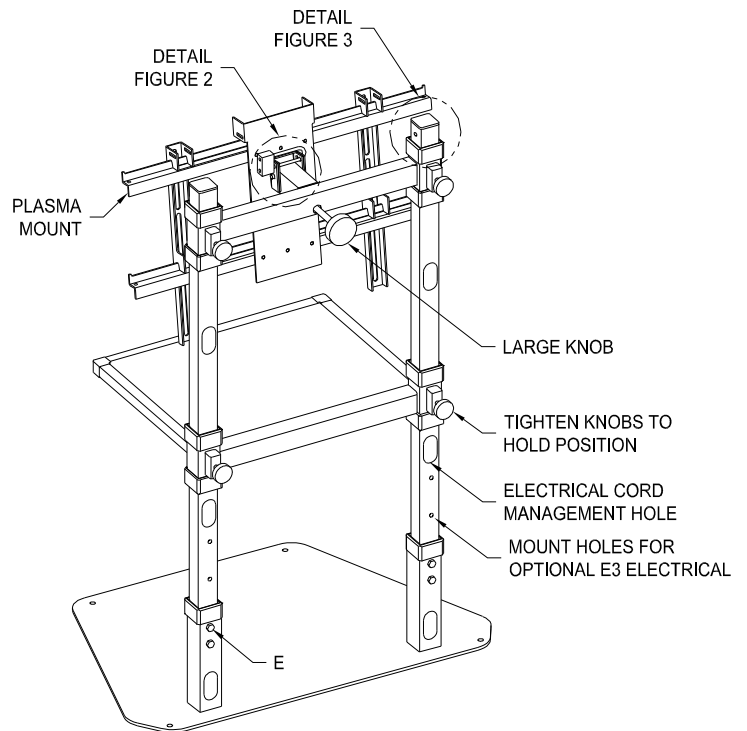


Figure 1

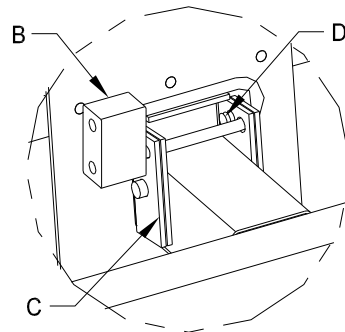


Figure 2

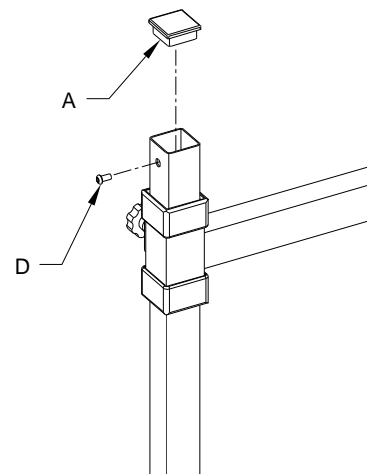


Figure 3