

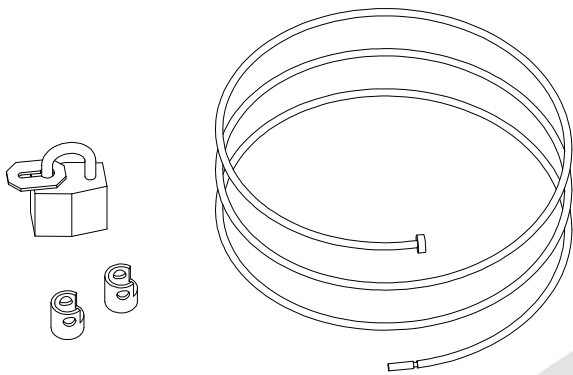


DA-LITE SCREEN COMPANY, INC.
3100 North Detroit Street
Post Office Box 137
Warsaw, IN 46581-0137
Phone: 574.267.8101
Toll Free: 800.622.3737
Fax: 574.267.7804
www.da-lite.com
info@da-lite.com

Projector Mount Security Cable Kit A-565

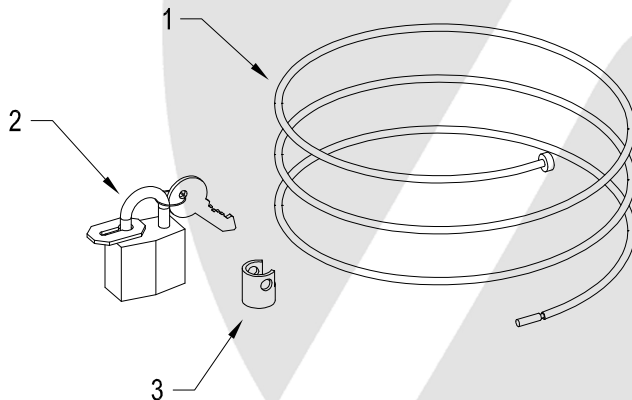
Form E-442
Rev. 11 / 08

Caution: Turn off the equipment you are securing.



Procedure

1. Remove contents from carton and examine for damaged or missing parts.



ITEM	DESCRIPTION	QTY
1	CABLE, 5' LONG	1
2	PADLOCK W/ 2 KEYS & CLASP	1
3	BARREL, UPM-1 FOOT	2

2. Attach barrels to top of projector feet. See Figure 1.

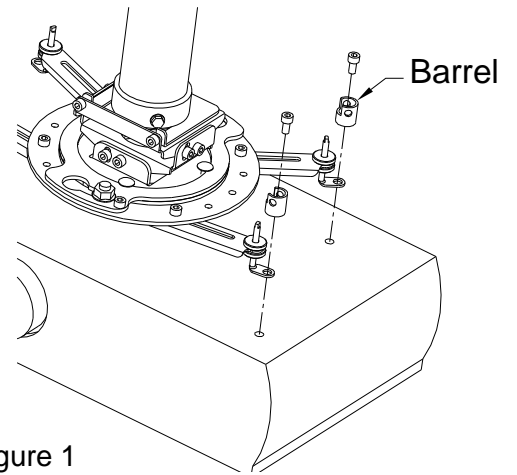


Figure 1

3. Pass security cable through holes in barrels and up through pipe. See Figure 2.

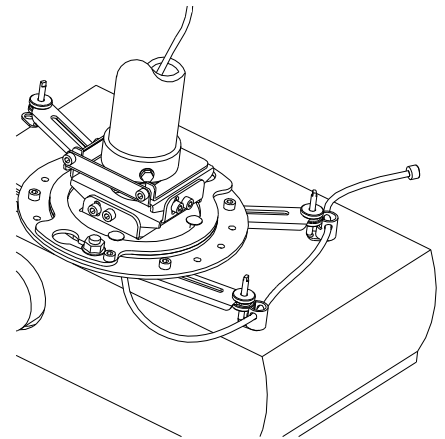


Figure 2

4. Slip the keyhole disc over the cable terminal and position it so that the bare portion of the cable, just behind the terminal, is inside the thin channel of the keyhole. Lock the cable to the structure using one of the following options as shown in Figure 3 or 4.

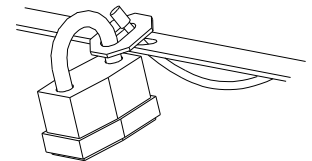


Figure 3

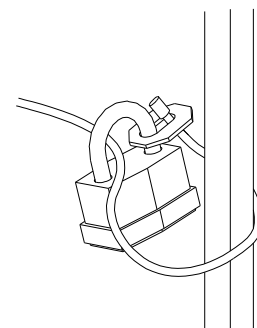


Figure 4