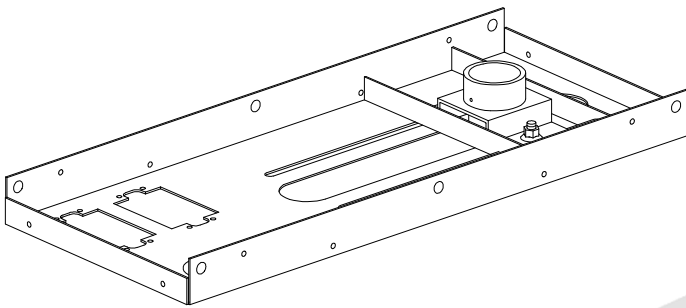




DA-LITE SCREEN COMPANY, INC.
 3100 North Detroit Street
 Post Office Box 137
 Warsaw, IN 46581-0137
 Phone: 574.267.8101
 Toll Free: 800.622.3737
 Fax: 574.267.7804
 www.da-lite.com
 info@da-lite.com

Ceiling Projector Mount Above Ceiling Plate CPM-ACP

Form E-413
 Rev. 11 / 08



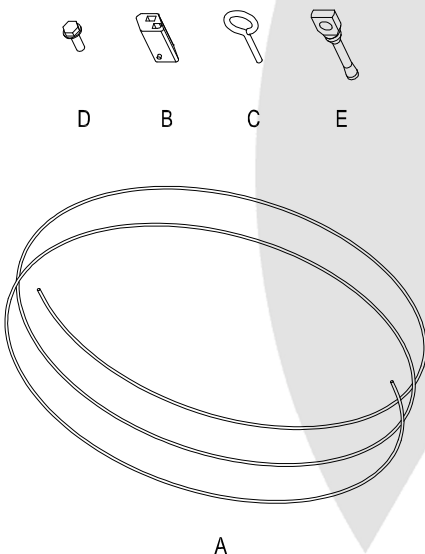
Caution: This product is designed for ceiling installation only. Qualified personnel using the appropriate fasteners should mount the Above Ceiling Plate. The surface to which this unit is mounted must be capable of supporting a static load of four times the combined weight of the projector and mount. Do not attach to plaster or drywall alone.

Required Tools:

- 1/2" socket
- 5/16" wrench
- Claw hammer
- 5/16" hex driver
- Drill motor

Procedure

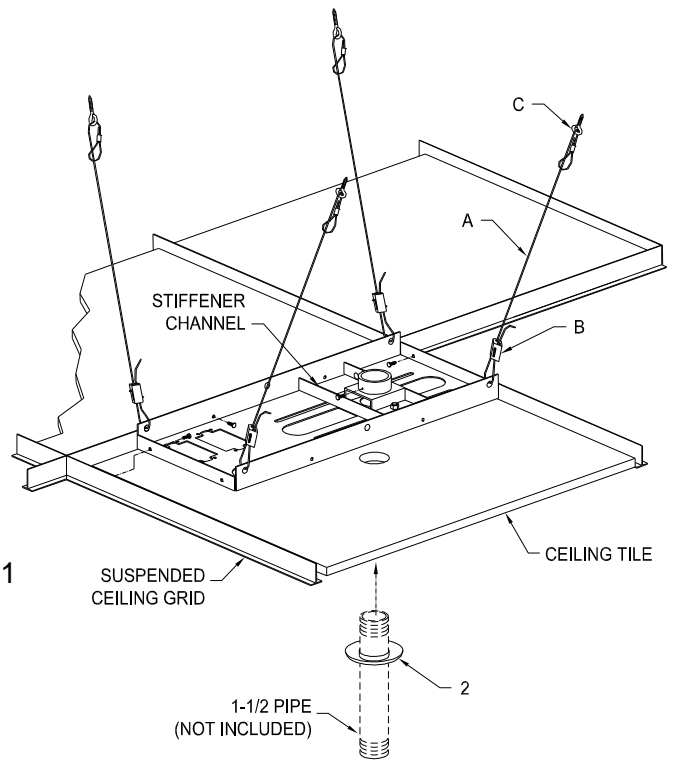
1. Remove contents from carton and examine for damaged or missing parts.



ITEM	DESCRIPTION	QTY
1	CPM-ACP ASSEMBLY	1
2	ESCUTCHEON RING	1
	PACKAGE SET	1
A	CABLE, 1/16" DIAMETER X 10ft	4
B	CABLE LOCK	4
C	EYEBOLT, 3/16"	4
D	SCREW, SELF DRILLING #10	4
E	STUD, CONCRETE ANCHOR 1/4"	4

Preparing Ceiling for CPM-ACP

2. Determine where the 1-1/2" vertical pipe is to be located. Verify that the CPM-ACP can fit in the intended location. Move plate to desired location.
3. If needed, secure any electrical boxes to the CPM-ACP by inserting screws from the bottom of the Plate into the boxes.
4. Cut a 2" diameter hole in the ceiling tile at the intended pipe location.
5. Place the CPM-ACP on top of the ceiling tile and align the coupling with the hole in the tile by moving the channel as needed.



Mounting the CPM-ACP

6. Determine where the anchors will be placed to suspend the CPM-ACP from the structural ceiling. Locate the anchors such that the cables are not vertical but not have angles greater than 20 degrees from the vertical. See Figure 1.

If suspending from WOOD members

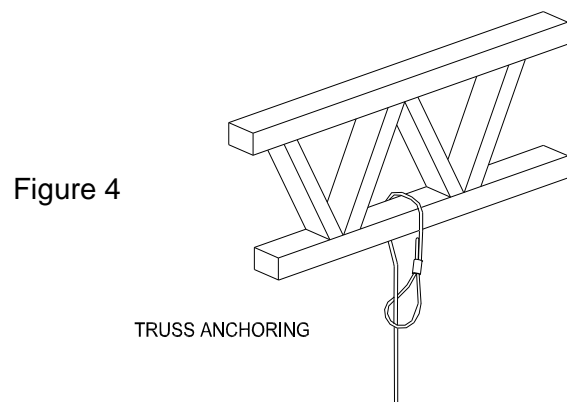
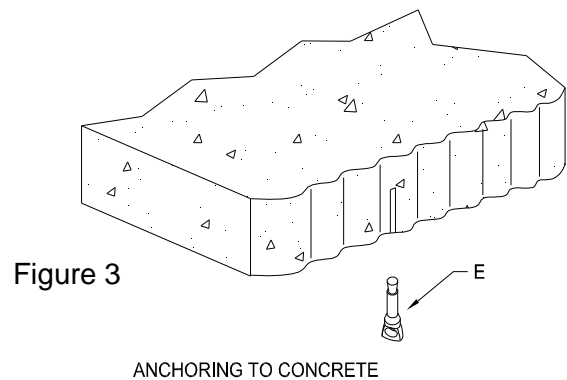
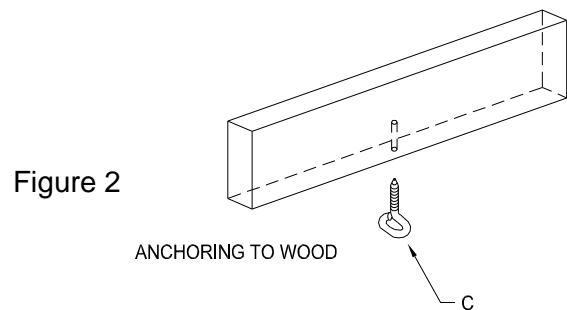
- a) Drill a 0.113" (#33 drill bit) diameter hole at the anchor location and twist a Screw Eye into the wood member. See Figure 2.
- b) Repeat for the remaining anchor locations.

If suspending from solid CONCRETE

- a) Drill a 0.25" diameter hole 1-3/8" deep at the anchor location. See Figure 3. The use of a carbide drill bit manufactured within ANSI B94, 12-77 is recommended.
- b) Tap Tie Wire Stud into hole 1" deep. Use a claw hammer to pull the Tie Wire Stud 1/4" to activate the anchor.
- c) Repeat for the remaining anchor locations.

If suspending from ceiling TRUSS

- a) Secure the loop end of the Cable to a truss. See Figure 4.
- b) Repeat for the remaining anchor locations.



7. Insert the loop end of the Cables through the eye of the anchors and pass the opposite end of the cables through the loop end. Pull tight to secure the cables to the anchors. See Figure 5 and 6.

Figure 5

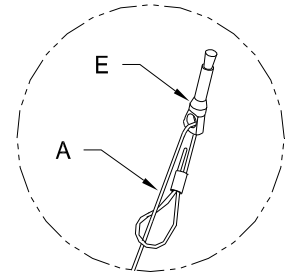
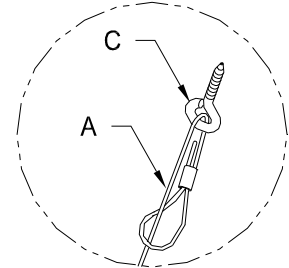
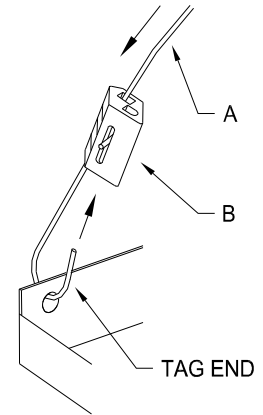


Figure 6

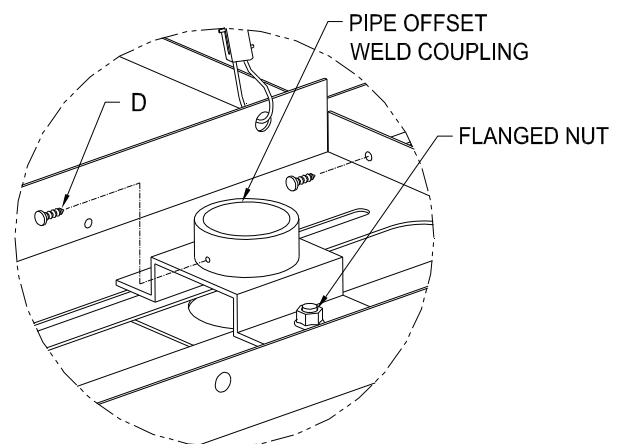


8. Insert opposite end of Cable through the rectangular hole in Cable Lock. Pass the Cable through a 7/16" diameter hole of the CPM-ACP then up through the bottom rectangular hole in the Cable Lock leaving at least 3" of the Cable protruding through. See Figure 7. Cable can be removed from the Cable Lock by sliding the pin.

Figure 7



9. Adjust the location of the CPM-ACP by pulling on the tag end of the Cable passing through the Cable Lock to put a small gap between the CPM-ACP and the ceiling tile. **NOTE: The load of the CPM-ACP and projector must be carried by the Cables and NEVER carried by the suspended ceiling grid.**
10. Install the pipe and projector mount according to the mount manufacturer's instructions. Screw a #10 self-drilling screw into the threaded pipe through the hole in the coupling to prevent removal of the pipe. See Figure 8.



STIFFENER CHANNEL
NOT SHOWN IN DETAIL

Figure 8

11. Use the remaining #10 self-drilling screws to attach the sides of the CPM-ACP to the ceiling grid for stability. See Figure 8.
12. Tighten all fasteners.
13. Install the Escutcheon Ring on the 1-1/2" pipe.