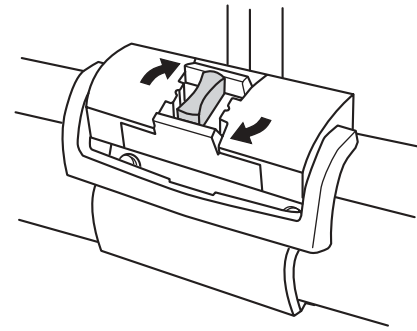
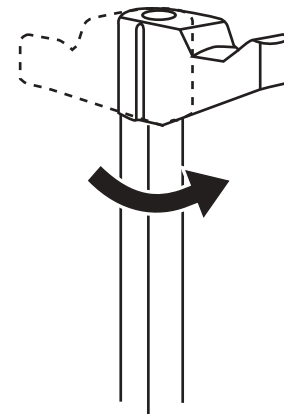


3 Lock green knob by rotating it 90 degrees.

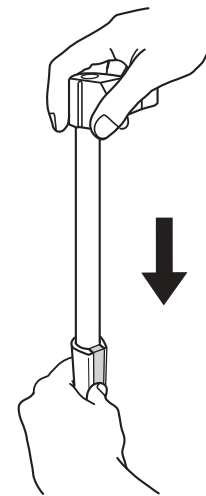
Do not carry the product while the green knob is not completely set. Doing so may cause the case to accidentally slip off and discolor or damage the screen.



4 Rotate the hook at the top of the upright bar 90 degrees.



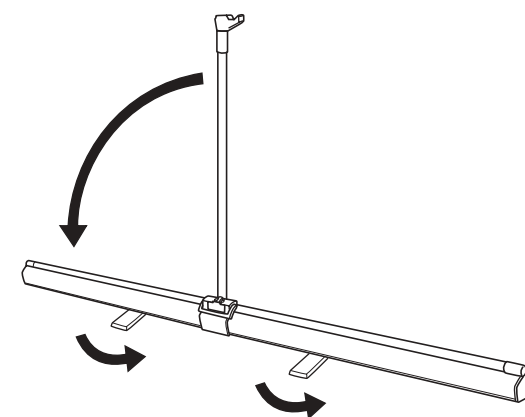
5 Press the green release tab at the base of the medium upright bar and push down until retracted. (small and medium)



6 Rotate upright bar 90 degrees into a horizontal position

Hold the upright bar firmly to keep it from falling over accidentally.

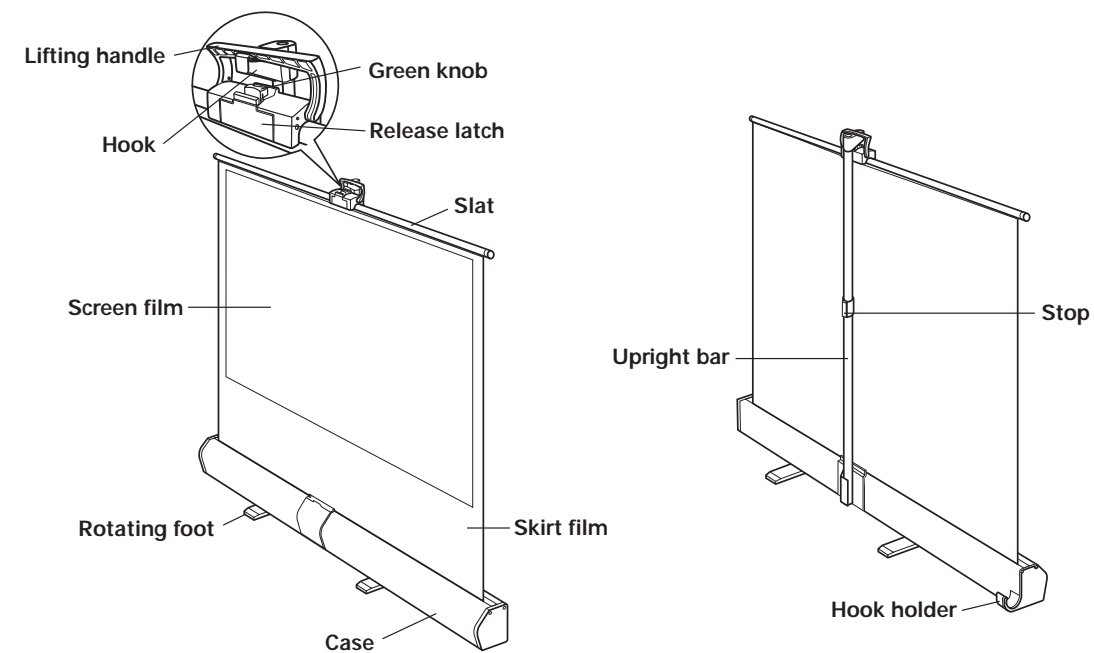
Pull down the upright bar gently until it is locked its holder.



7 Rotate the feet horizontally until they are aligned with the screen case.

Specifications

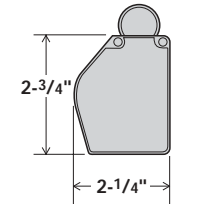
Parts identification



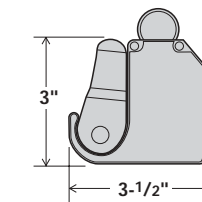
Specifications

Weight : 60" 7.75 Lbs.
80" 10.00 Lbs.

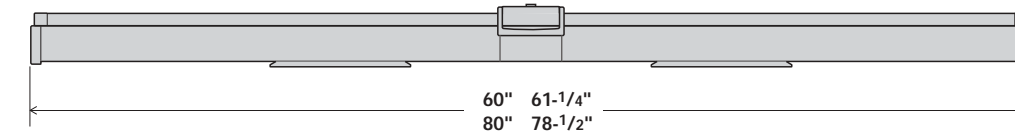
Right side



Left side



In the harvesting



The POWER In PRESENTATION PRODUCTS



Instruction Book for THEATER-LITE



DA-LITE SCREEN COMPANY, INC.
3100 North Detroit Street
Post Office Box 137
Warsaw, Indiana 46581-0137
Phone: 574/267-8101
800-622-3737
Fax: 574/267-7804
[http:// www.da-lite.com](http://www.da-lite.com)
e-mail: info@da-lite.com