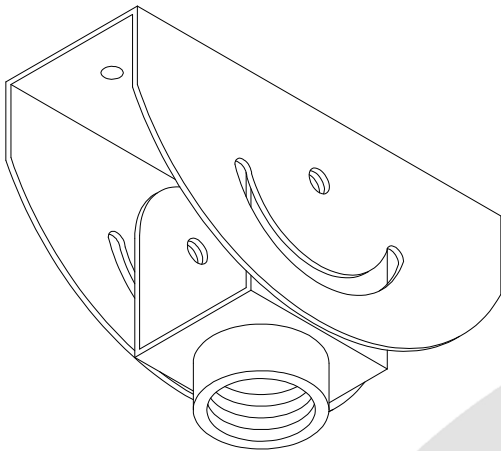




DA-LITE SCREEN COMPANY, INC.
 3100 North Detroit Street
 Post Office Box 137
 Warsaw, IN 46581-0137
 Phone: 574.267.8101
 Toll Free: 800.622.3737
 Fax: 574.267.7804
 www.da-lite.com
 info@da-lite.com

Ceiling Mount Cathedral Ceiling Adapter CM-CCA

Form E-363
 Rev. 11 / 08



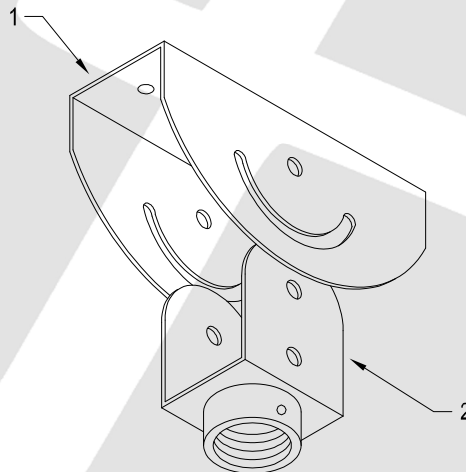
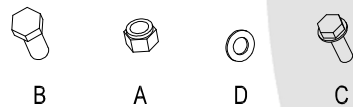
Caution: This product is designed for ceiling installation only. Qualified personnel using the appropriate fasteners should mount the Cathedral Ceiling Adapter. The surface to which this unit is mounted must be capable of supporting a static load of four times the combined weight of the audio/visual device and mount. Do not attach to plaster or drywall alone.

Required Tools:

- 5/16" hex driver
- Drill motor
- 9/16" wrenches

Procedure

1. Remove contents from carton and examine for damaged or missing parts.



ITEM	DESCRIPTION	QTY
1	MOUNT PLATE	1
2	PIVOTING PLATE	1
	PACKAGE SET	1
A	NUT, HEX 3/8"-16	4
B	SCREW, HHCS 3/8"-16 X 1"	4
C	SCREW, SELF DRILLING #10	1
D	WASHER, FLAT 3/8"	2

2. Due to the various ceiling constructions, careful consideration should be given to the selection and use of fasteners. For a listing of available fastener kits refer to the chart below.

Ceiling Construction	Fastener Kit Model Number	Hole Size
Concrete	A101 (3/8" cap screws and hollow set drop-in anchors)	5/8"
Wood Joist	A105 (3/8" lag screws)	3/16"
Metal Joist	A111 (3/8" cap screws and nuts)	7/16"

3. Assemble the Pivoting Plate inside the Mount Plate. See Figure 1. Leave the fasteners loose.
4. Secure the assembly onto a structural member of the ceiling. Install the middle fastener first and use the slots of the outside mount points to align the assembly. Tighten all mounting fasteners.
5. Install a 1-1/2" NPT threaded pipe (not included) into the Pivoting Plate coupling securely. Screw a #10 self-drilling screw into the threaded pipe through the existing hole in the coupling to prevent removal of the pipe. Tighten all fasteners and proceed to assemble the television mount per its instructions.
6. Maximum allowed weight is 300 pounds.

TV or plasma mount models QLC-1622, QLC-2128, QLC-2329, QLC-2532, QLC-2937, QLC-2935, QLC-3440, QLC-3543, QLP-2735, and QLP-3642 are available through authorized Da-Lite dealers.

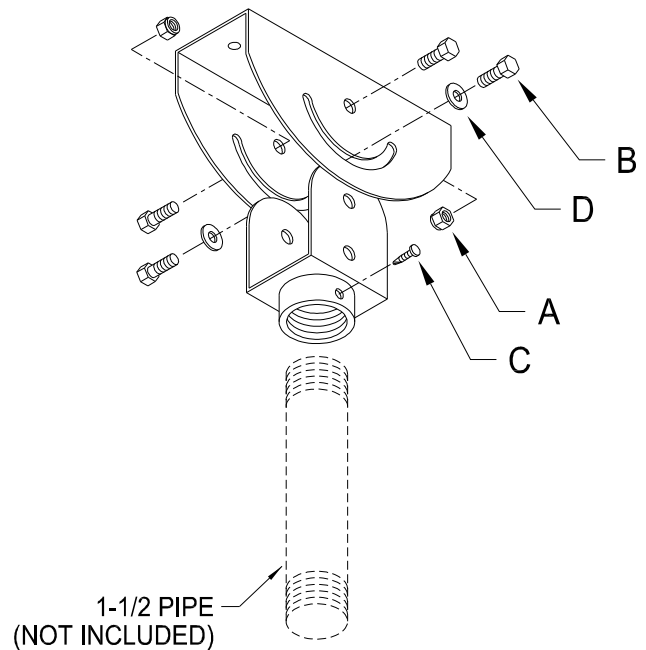


Figure 1